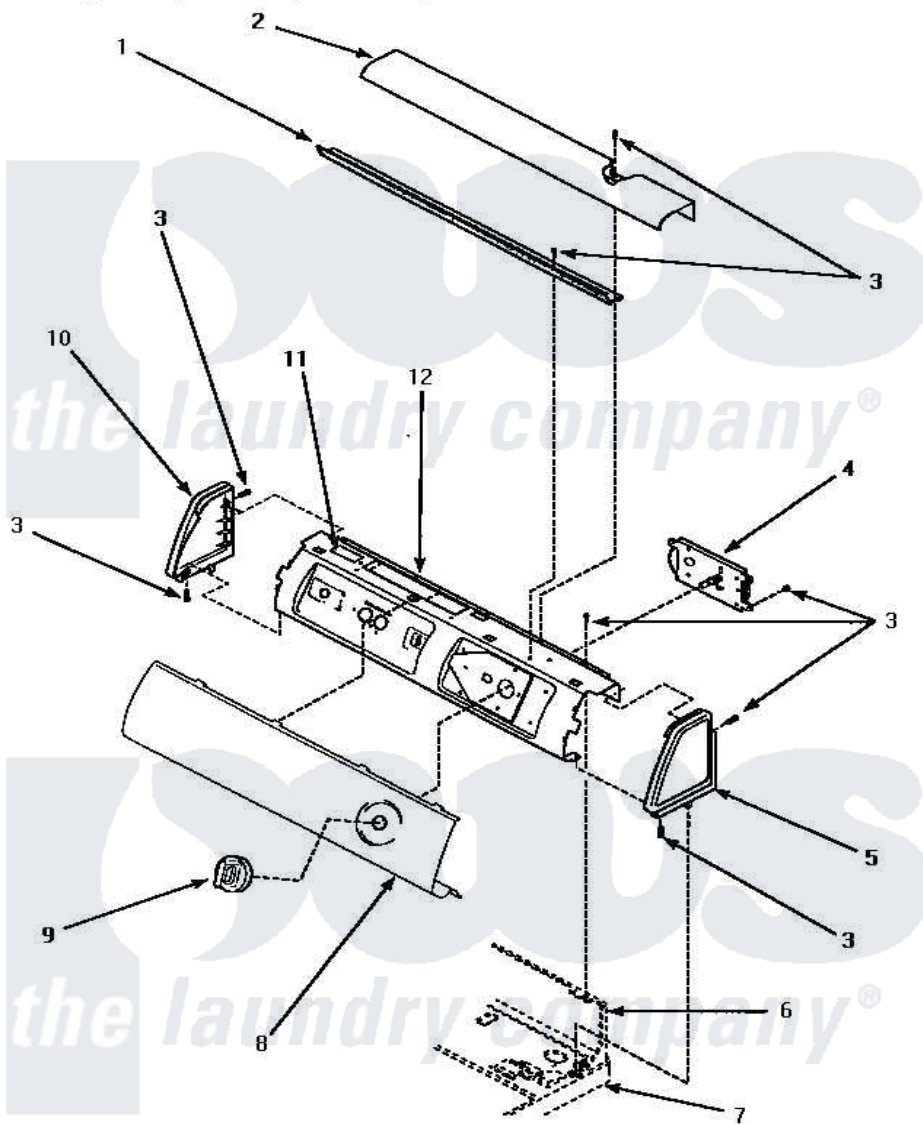


**Amana LE1007W (BOM: P1177601W W) 05 - GRAPHIC PANEL, CONTROL HOOD & CONTROLS**



**GRAPHIC PANEL, CONTROL HOOD AND CONTROLS**

Amana [Residential Amana LE1007W \(BOM: P1177601W W\) Dryer Parts](#) Parts Diagram 05 - GRAPHIC PANEL, CONTROL HOOD & CONTROLS  
 Click on the part number to view part

Item	Original Part Number	Replaced By	Status	Part Description
"	NOTE:		Not Available	DIFFERENT TIMER VENDORS ARE USUGH THE TIMERS DIFFER IN APPEAY ARE COMPLETELY INTERCHANGEABENTIFIED BY THE SAME PART NUMB
1	500305		Not Available	DIFFUSER W/OUT HOLE
2	500302		Not Available	COVER, TOP
3	501086	<a href="#">90767</a>		Screw, 8A X 3/8 HeX Washer Head Tapping
4	59420	<a href="#">59420P</a>		Timer 1 Cycle Package
5	34815		Not Available	PANEL, END R.H. (BLK)
6	Y00000000		Not Available	SEE NOTE SEE NOTE CONTROL HOOD REAR PANEL
7	Y00000000		Not Available	SEE NOTE SEE NOTE CABINET TOP
8	501548		Not Available	PANEL, GRAPHICS

9	62176	Not Available	ASSY,TIMER KNOB & SKIR
10	<a href="#">34816</a>		Panel, End
11	24903	Not Available	STICKER,DISCONNECT POW
12	500300	Not Available	BRACKET,CONTROL SUPPORT-MECH

