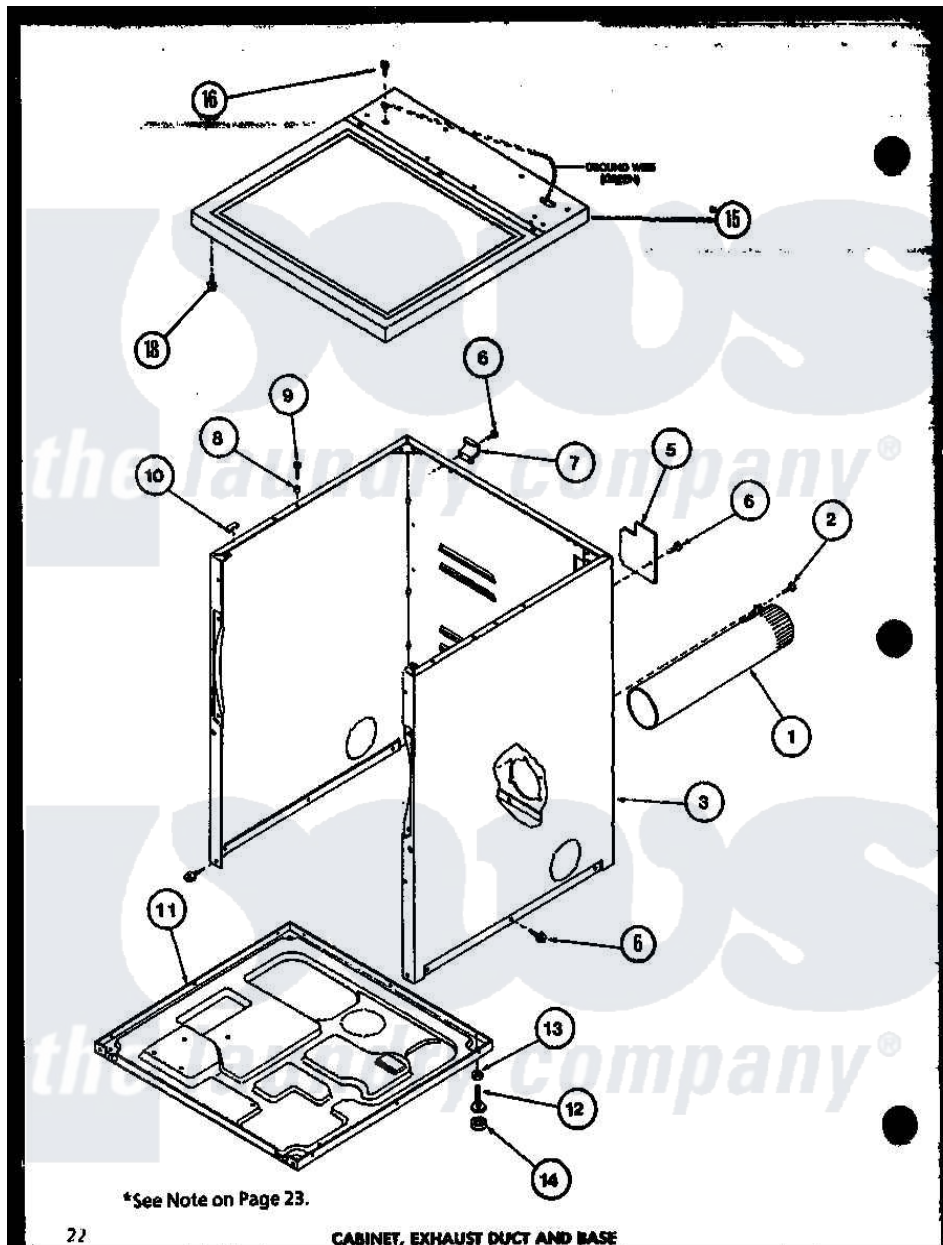


Amana LE3802W (BOM: P1122601W W) 01 - CABINET



Amana Residential Amana LE3802W (BOM: P1122601W W) Dryer Parts Parts Diagram 01 - CABINET  
 Click on the part number to view part

| Item | Original Part Number | Replaced By             | Status        | Part Description            |
|------|----------------------|-------------------------|---------------|-----------------------------|
| 1    | R0603041             |                         | Not Available | DUCT, EXHAUST               |
| 2    | R0600052             |                         | Not Available | SCREW, HEX HEAD             |
| 3    | R0603118             |                         | Not Available | CABINET W                   |
| "    | R0603068             |                         | Not Available | xxxASSY, DRYER CABINET      |
| 5    | R0603182             | <a href="#">60821</a>   |               | Access Cover                |
| 6    | R0600017             |                         | Not Available | SCREW                       |
| 7    | R0605711             |                         | Not Available | HINGE                       |
| 8    | R0603524             | <a href="#">505187</a>  |               | Locator, Panel              |
| 9    | R0600102             | <a href="#">Y014874</a> |               | Screw, Idler Arm And Sleeve |
| 10   | R0606519             | <a href="#">Y56128</a>  |               | Pad, Bumper                 |
| 11   | R0603183             | <a href="#">60811</a>   |               | Assembly, Base-Complete     |
| 12   | R0600051             | <a href="#">Y305086</a> |               | Adjustable Leg And Nut      |
| 13   | R0601021             | <a href="#">62739</a>   |               | Nut, Lock                   |
| 14   | R0606525             | <a href="#">Y314137</a> |               | Foot, Rubber                |
| 15   | R0603230             |                         | Not Available | TOP, CABINET L              |
| "    | R0603229             |                         | Not Available | TOP, CABINET W              |

