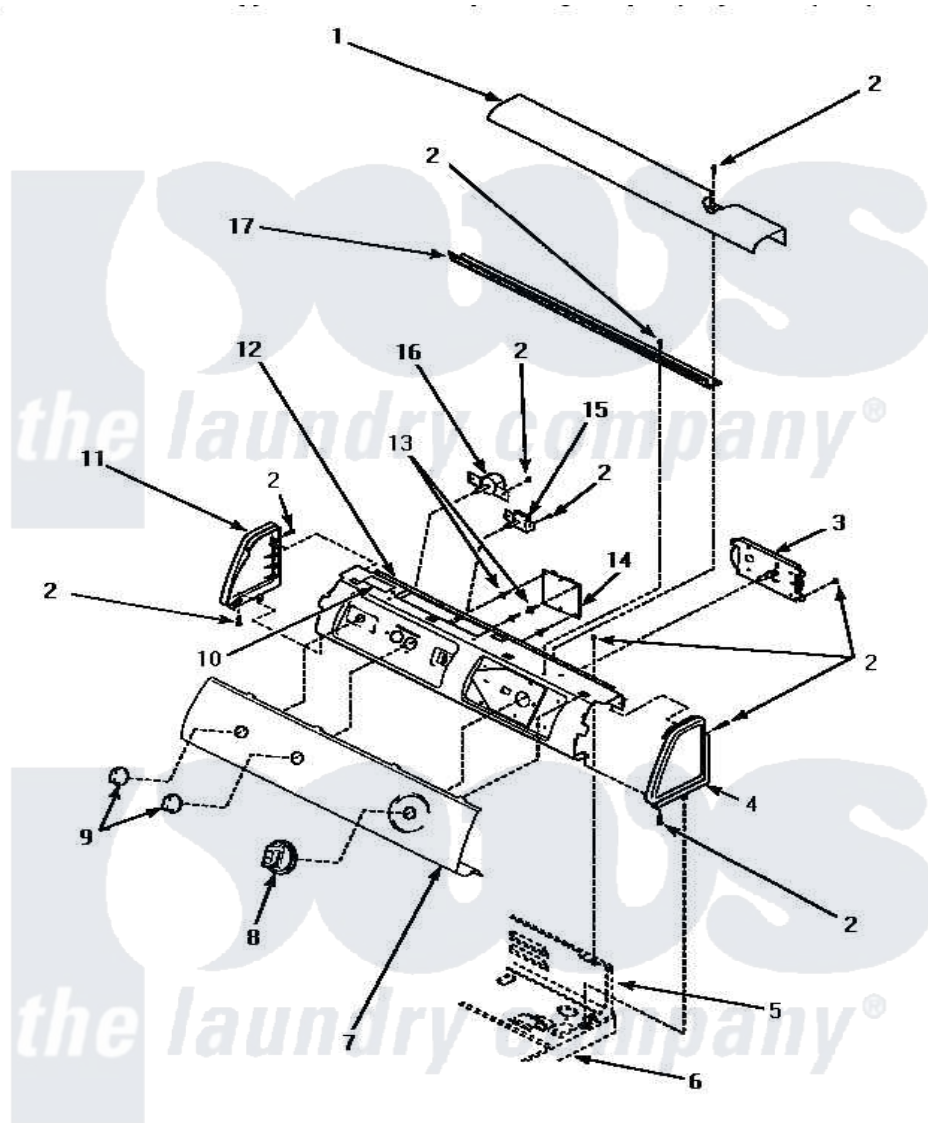


Amana LE4207L (BOM: P1178402W L) 05 - GRAPHIC PANEL, CONTROL HOOD & CONTROLS



GRAPHIC PANEL, CONTROL HOOD AND CONTROLS

Amana [Residential Amana LE4207L \(BOM: P1178402W L\) Dryer Parts](#) Parts Diagram 05 - GRAPHIC PANEL, CONTROL HOOD & CONTROLS
 Click on the part number to view part

Item	Original Part Number	Replaced By	Status	Part Description
"	NOTE:		Not Available	IF DRYER IS INSTALLED IN A MANUFACTURED (MOBILE) HOME, OR IF LOCAL CODES DO NOT PERMIT GROUNDING THROUGH THE NEUTRAL, THIS WIRE WILL NOT BE CONNECTED TO THE DR
1	500302		Not Available	COVER, TOP
2	501086	90767		Screw, 8A X 3/8 HeX Washer Head Tapping
3	501881		Not Available	TIMER
4	34815		Not Available	PANEL, END R.H. (BLK)
5	Y00000000		Not Available	SEE NOTE CONTROL HOOD REAR PANEL
6	Y00000000		Not Available	SEE NOTE CABINET TOP
7	501900		Not Available	PANEL, GRAPHICS
8	500311	502220W		Knob, Timer

9	34847		Assembly, Knob-Rotary
10	24903	Not Available	STICKER,DISCONNECT POW
11	34816		Panel, End
12	500300	Not Available	BRACKET,CONTROL SUPPORT-MECH
13	501523		Support, Circuit Board
14	501266	Not Available	ASSY, ELECT
15	500823		Signal, Rotary
16	62173		Switch, Temperature Select
17	500305	Not Available	DIFFUSER W/OUT HOLE

