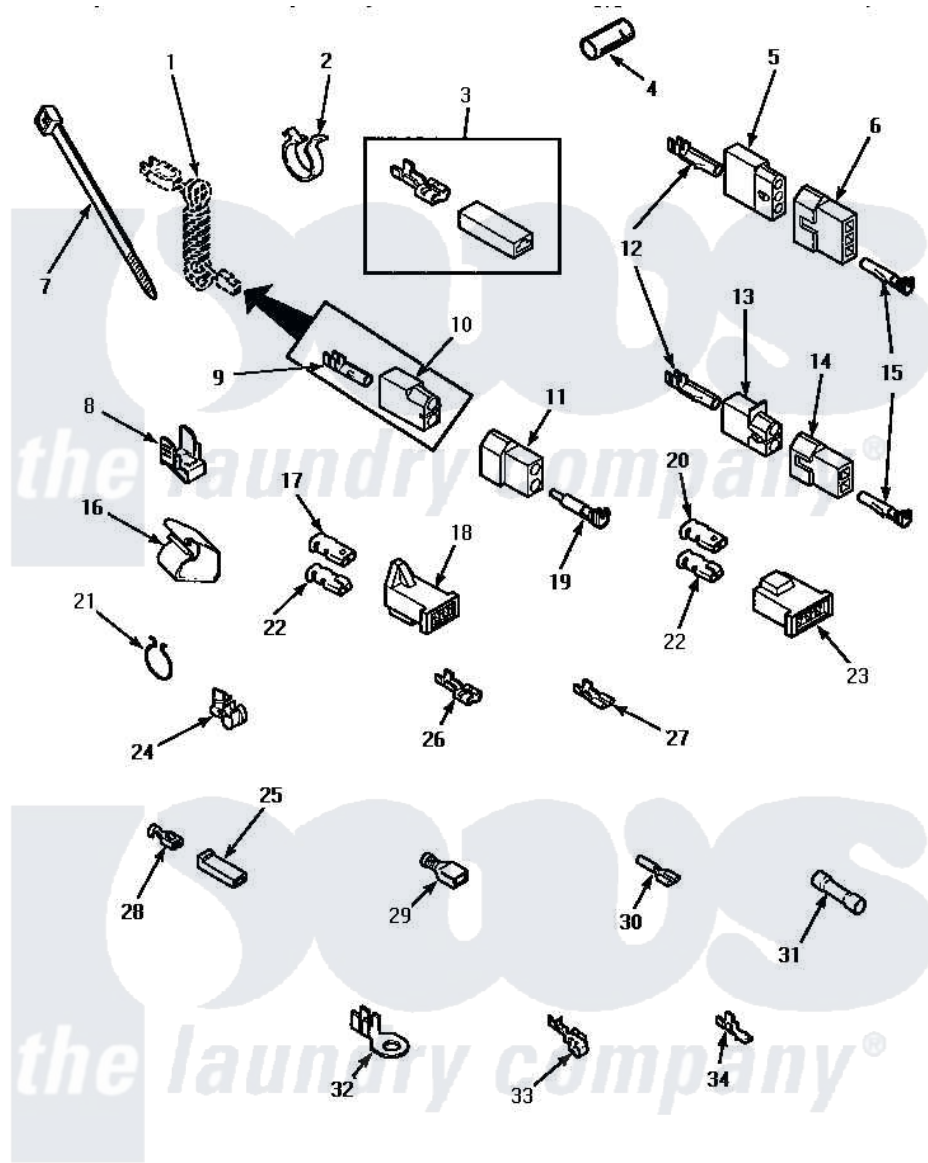


# Amana LE4207L (BOM: P1178402W L) 12 - TERMINALS



## TERMINALS

Amana [Residential Amana LE4207L \(BOM: P1178402W L\) Dryer Parts](#) Parts Diagram 12 - TERMINALS

[Click on the part number to view part](#)

| Item | Original Part Number   | Replaced By              | Status        | Part Description                                   |
|------|------------------------|--------------------------|---------------|--|
| 1    | Y00000000              |                          | Not Available | SEE NOTE POWER CORD -- (GAS MODELS)                |
| 2    | 61510                  | <a href="#">504034</a>   |               | Clip, Wire   |
| 3    | <a href="#">Y00237</a> |                          |               | Terminal-Female 1/4 ((1) 12 GAUGE Wire Or(2) 18 GA |
| 4    | Y21365                 | <a href="#">503670</a>   |               | Sleeve Insulator                                   |
| 5    | 23039                  | <a href="#">697780</a>   |               | Receptacle,  |
| 6    | <a href="#">23040</a>  |                          |               | Plug-3 Circuit                                     |
| 7    | 55881                  | <a href="#">M0321209</a> |               | Tie-Electrical                                     |
| 8    | Y00161                 | <a href="#">B5733302</a> |               | Clip, Ground                                       |
| 9    | <a href="#">00130</a>  |                          |               | Terminal, Pin-1/8 Femal                            |
| 10   | <a href="#">56265</a>  |                          |               | Receptacle, 2 Circuit                              |
| 11   | <a href="#">56266</a>  |                          |               | Plug   |
| 12   | Y00117                 | <a href="#">5011-XX</a>  |               | 093 Female Socket                                  |
| 13   | <a href="#">56451</a>  |                          |               | Receptacle, 2 Circuit                              |
| 14   | <a href="#">56448</a>  |                          |               | Terminal Block Plug                                |
| 15   | <a href="#">Y00116</a> |                          |               | Terminal, Pin-Male                                 |

|    |                        |                          |               |  |
|----|------------------------|--------------------------|---------------|--|
| 16 | 35521                  |                          | Not Available | CLIP,HARNESS HOLDER  |
| 17 | <a href="#">Y00189</a> |                          |               | Terminal, Spade  |
| 18 | <a href="#">58799</a>  |                          |               | Connector-2 Circuit  |
| 19 | <a href="#">Y00127</a> |                          |               | Terminal, Pin-1/8 Male                                       |
| 20 | <a href="#">Y00189</a> |                          |               | Terminal, Spade  |
| 21 | <a href="#">51291</a>  |                          |               | Clip, Wire   |
| 22 | <a href="#">Y00190</a> |                          |               | Connector-Receptacle   |
| 23 | 58800                  |                          | Not Available | CONNECTOR-3 CIRCUIT (3 CIRCUIT CONNECTOR)                    |
| 24 | 21903                  | <a href="#">211881</a>   |               | Grommet, Cord Part Not Used-Gas Models Only                  |
| 25 | <a href="#">90789</a>  |                          |               | Connector  |
| 26 | Y00245                 | <a href="#">M0320576</a> |               | Terminal   |
| "  | Y00121                 |                          | Not Available | SPADE TERMINAL(12 GAUGE) (1/4 INCH-(2) 18 GAUGE WIRES O      |
| "  | Y00119                 |                          | Not Available | SPADE TERMINAL(18 GAUGE) (1/4 INCH-(1) 18 GAUGE WIRE)        |
| 27 | <a href="#">Y00124</a> |                          |               | Spade Terminal (18 Gauge) (3/16 Inch-(1) 18 Gauge Wire-      |
| "  | <a href="#">Y00209</a> |                          |               | Spade Terminal (18 Gauge) (3/16 Inch-(2) 18 Gauge Wires-     |
| "  | 00156                  | <a href="#">00156SRE</a> |               | 65br30/FI  |
| 28 | <a href="#">Y00115</a> |                          |               | Lock In Spade Terminal (18 Gaug (1/4 Inch-(1) 18 Gauge Wire) |
| "  | 00122                  |                          | Not Available | (1/4 INCH-(2) 18 GAUGE WIRES O                               |
| 29 | <a href="#">Y00165</a> |                          |               | Insulated Spade Terminal                                     |
| "  | Y00163                 | <a href="#">285432</a>   |               | Terminal   |
| 30 | Y00214                 |                          | Not Available | BARREL INSULATED SPADE(18 GAUG (1/4 INCH-18 GAUGE WIRE)      |
| "  | <a href="#">Y00215</a> |                          |               | Barrel Insulated Spade                                       |
| 31 | <a href="#">30865</a>  |                          |               | Butt Splice Connector  |
| 32 | <a href="#">Y00111</a> |                          |               | Ring Terminal No.10 No.10 18 Gauge Wires Or                  |
| "  | <a href="#">00110</a>  |                          |               | No.10 18 Gauge Wire  |
| 33 | <a href="#">Y00114</a> |                          |               | Spade Terminal   |
| 34 | Y00139                 | <a href="#">Y00138</a>   |               | Male Tab Terminal 18 Gauge Wire)                             |
| "  | <a href="#">Y00138</a> |                          |               | Male Tab Terminal 18 Gauge Wire)                             |

