

**Amana LE4207L2 (BOM: PLE4207L2) 03 - FR BLKHD, AIR DUCT, FELT SEAL & CYLINDER**

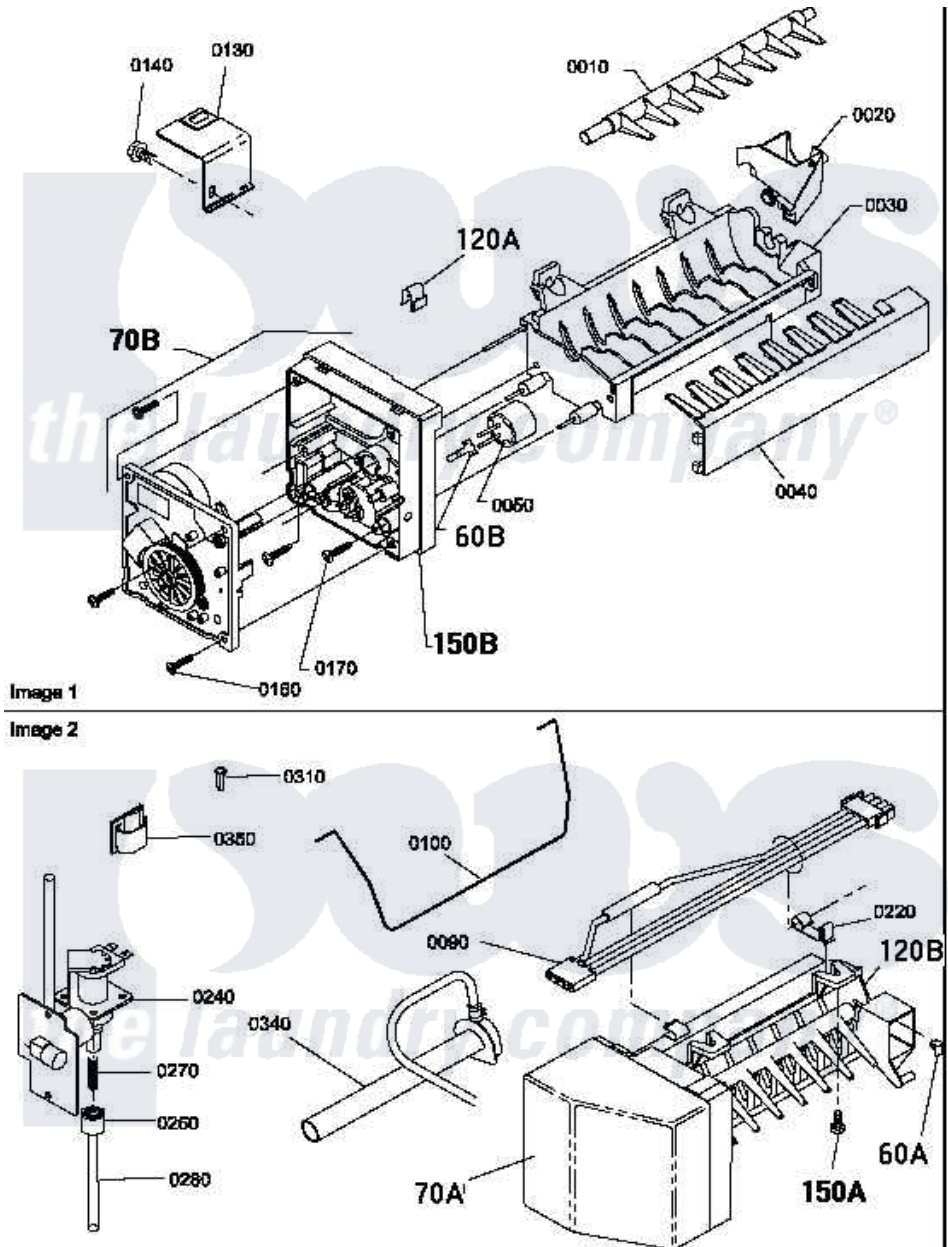


Image 1  
Image 2

Amana Residential Amana LE4207L2 (BOM: PLE4207L2) Dryer Parts Parts Diagram 03 - FR BLKHD, AIR DUCT, FELT SEAL & CYLINDER

Click on the part number to view part

Item	Original Part Number	Replaced By	Status	Part Description
1	500117W		Not Available	ASSY,BULKHEAD-FRONT-COMP
6	501801	<a href="#">37001132</a>		Seal, Cylinder
7	500022	<a href="#">510102</a>		Baffle- SH
8	500013WP		Not Available	ASSY,CYLINDER-HOME-
9	22506P	<a href="#">511637P</a>		Adh Dow 737 Clr 3 Oz Tube
10	<a href="#">Y62588</a>			Screw, 10BT-12 X 1 Tap
13	Y501676	<a href="#">37001298</a>		Glide- Dry
15	501554	<a href="#">12002090</a>		Bracket
16	500001P		Not Available	(ADD LETTER BEFORE "P" IN PART
17	Y31645	<a href="#">27001200</a>		Screw
18	56259		Not Available	STICKER
19	500049		Not Available	STICKER
21	502231		Not Available	DUCT, HEAT

