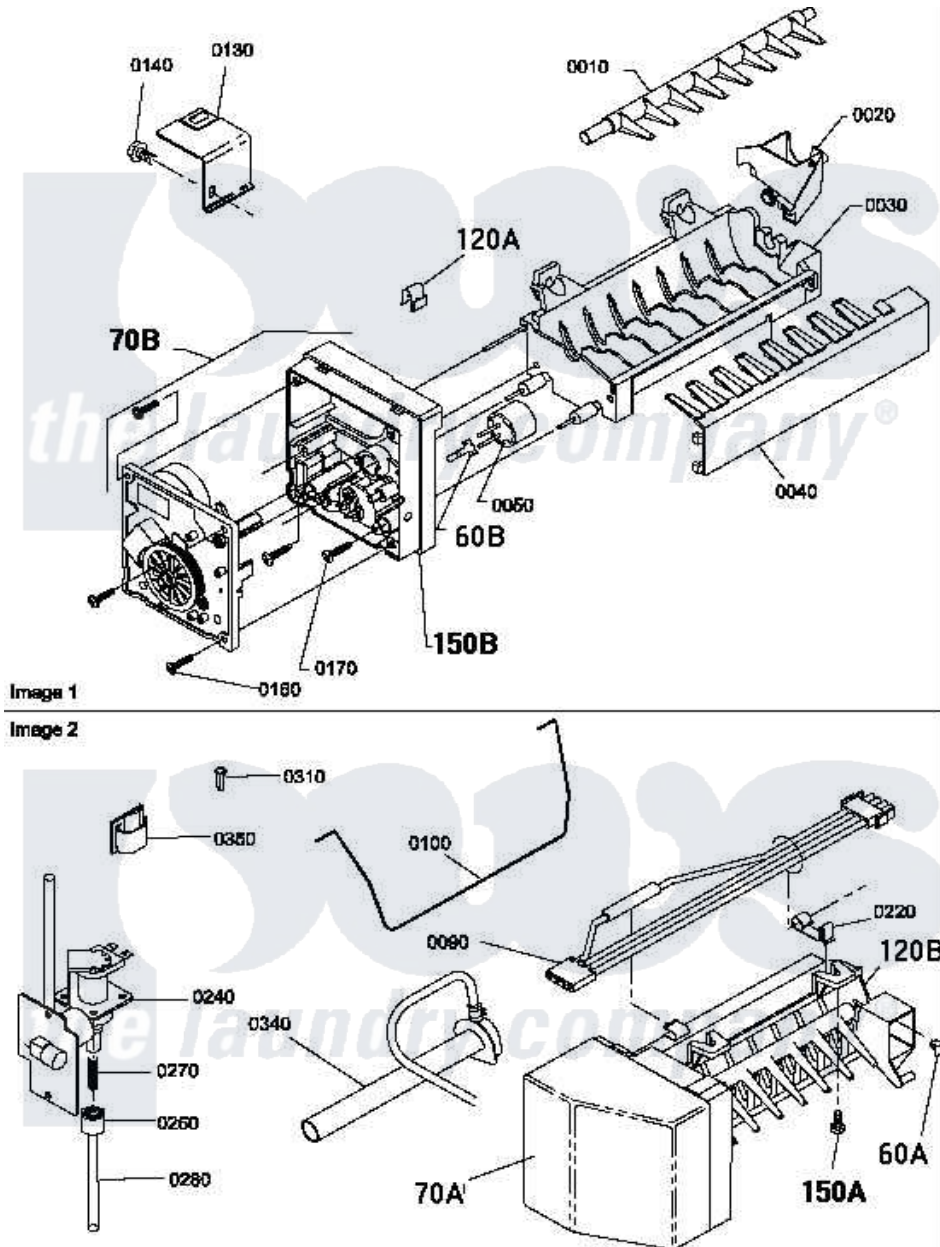


Amana LE4207L2 (BOM: PLE4207L2) 08 - GRAPHIC PANEL, CONTROL HOOD AND CONTROLS



Amana Residential Amana LE4207L2 (BOM: PLE4207L2) Dryer Parts Parts Diagram 08 - GRAPHIC PANEL, CONTROL HOOD AND CONTROLS

[Click on the part number to view part](#)

| Item | Original Part Number | Replaced By | Status | Part Description |
|------|----------------------|-----------------------|---------------|---|
| 2 | 501086 | 90767 | | Screw, 8A X 3/8 HeX Washer Head Tapping |
| 6 | 500343 | | Not Available | PANEL,BACK(HOME HOOD) |
| 7 | 500085P | | Not Available | (ADD LETTER L-L, W-W TO PART N |
| 11 | 500300 | | Not Available | BRACKET,CONTROL SUPPORT-MECH |
| 13 | 24903 | | Not Available | STICKER,DISCONNECT POW |