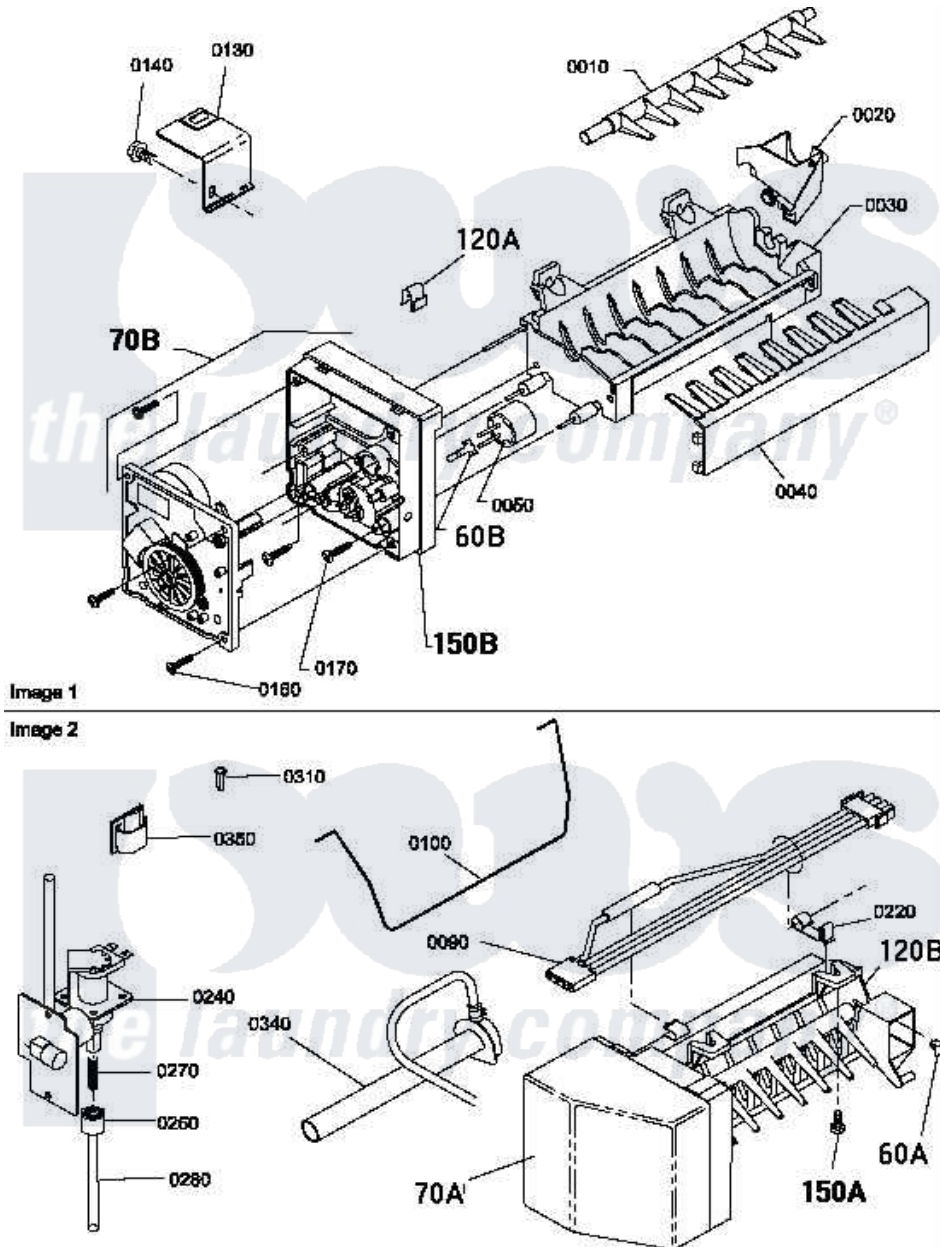


Amana LE4207L2 (BOM: PLE4207L2) 15 - MOTOR CONN BLOCK, TERM & TOOLS



Amana Residential Amana LE4207L2 (BOM: PLE4207L2) Dryer Parts Parts Diagram 15 - MOTOR CONN BLOCK, TERM & TOOLS

[Click on the part number to view part](#)

Item	Original Part Number	Replaced By	Status	Part Description
1	Y00161	B5733302		Clip, Ground
5	Y00245	M0320576		Terminal
"	Y00121		Not Available	SPADE TERMINAL(12 GAUGE) (1/4 INCH-(2) 18 GAUGE WIRES O
"	Y00119		Not Available	SPADE TERMINAL(18 GAUGE) (1/4 INCH-(1) 18 GAUGE WIRE)
6	Y00209			Spade Terminal (18 Gauge) (3/16 Inch-(2) 18 Gauge Wires-
8	00122		Not Available	(1/4 INCH-(2) 18 GAUGE WIRES O
"	Y00115			Lock In Spade Terminal (18 Gaug (1/4 Inch-(1) 18 Gauge Wire)
9	90789			Connector
10	Y00163	285432		Terminal
"	Y00165			Insulated Spade Terminal

11	Y00215		Barrel Insulated Spade
"	Y00214	Not Available	BARREL INSULATED SPADE(18 GAUG (1/4 INCH-18 GAUGE WIRE)
12	Y00111		Ring Terminal No.10 No.10 18 Gauge Wires Or
"	00110		No.10 18 Gauge Wire
14	Y00139	Y00138	Male Tab Terminal 18 Gauge Wire)

