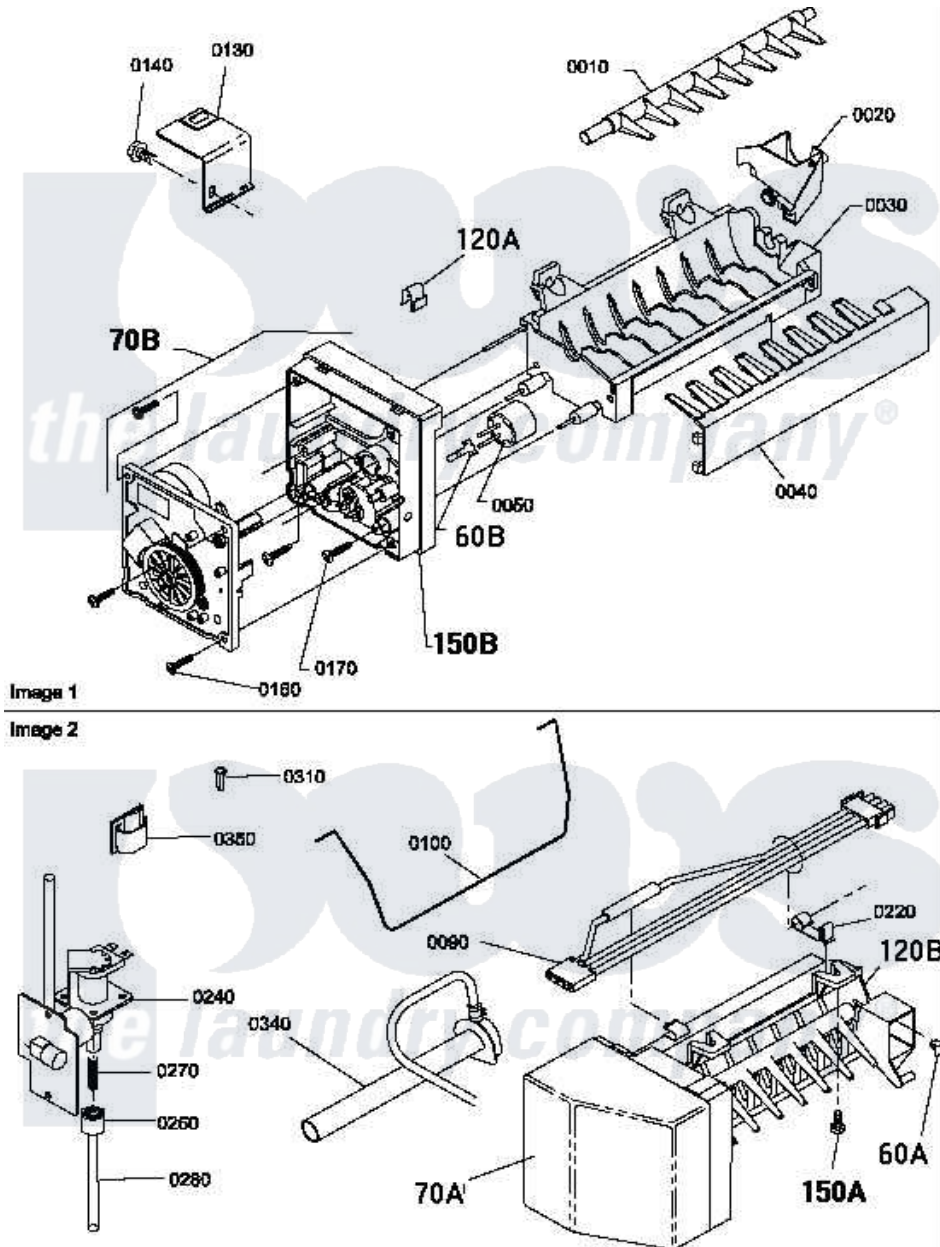


Amana LE4207W2 (BOM: PLE4207W2) 05 - GRAPHIC PANEL, CONTROL HOOD AND CONTROLS



Amana Residential Amana LE4207W2 (BOM: PLE4207W2) Dryer Parts Parts Diagram 05 - GRAPHIC PANEL, CONTROL HOOD AND CONTROLS
 Click on the part number to view part

| Item | Original Part Number | Replaced By | Status | Part Description |
|------|-----------------------|-------------------------|---------------|---|
| 1 | 500305 | | Not Available | DIFFUSER W/OUT HOLE |
| 2 | 501086 | 90767 | | Screw, 8A X 3/8 HeX Washer Head Tapping |
| 3 | 500302 | | Not Available | COVER, TOP |
| 6 | 34815 | | Not Available | PANEL, END R.H. (BLK) |
| 7 | 500343 | | Not Available | PANEL, BACK (HOME HOOD) |
| 8 | 500085P | | Not Available | (ADD LETTER L-L, W-W TO PART N |
| 10 | 500311 | 502220W | | Knob, Timer |
| 12 | 500300 | | Not Available | BRACKET, CONTROL SUPPORT-MECH |
| 13 | 34816 | | | Panel, End |