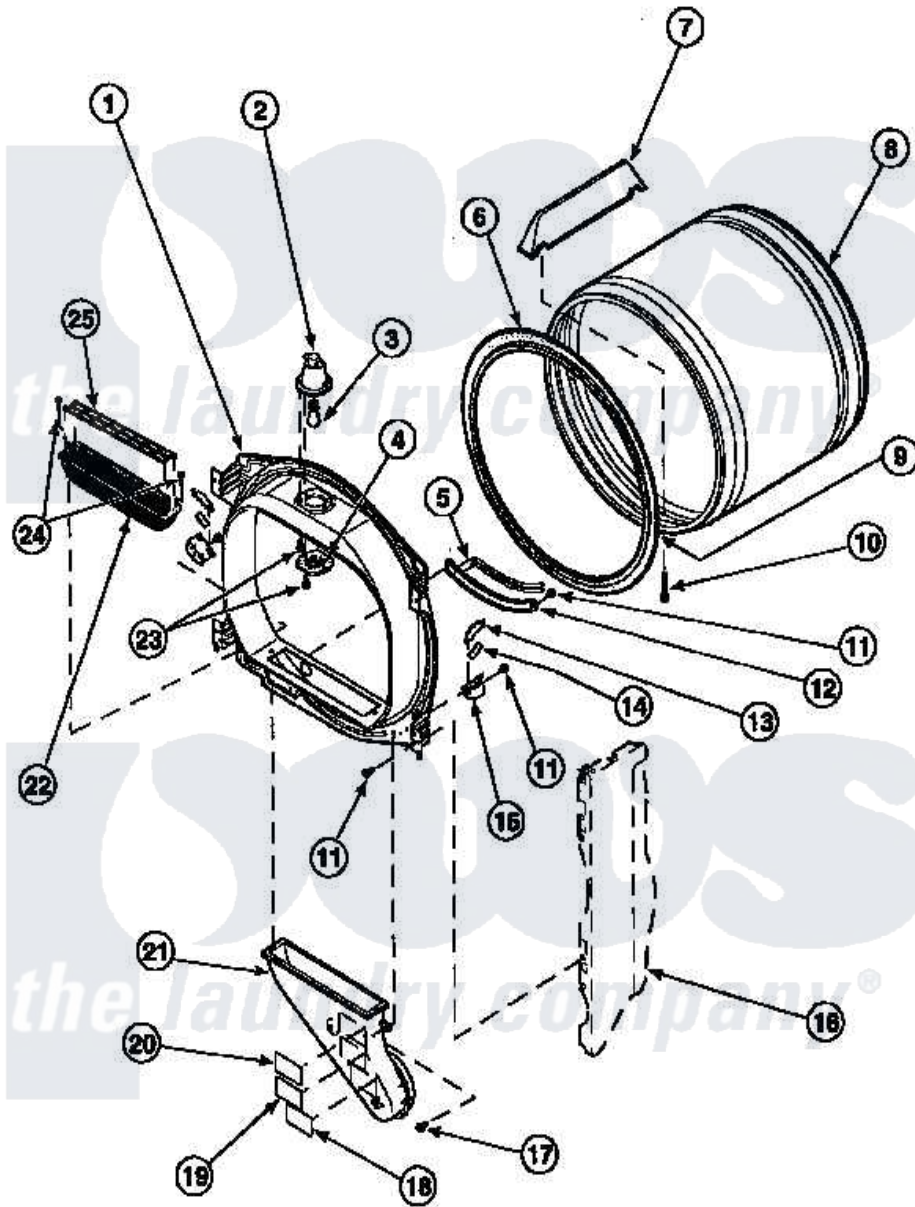


Amana LE4217L2 (BOM: PLE4217L2) 03 - FR BLKHD, AIR DUCT, FELT SEAL & CYLINDER



Amana Residential Amana LE4217L2 (BOM: PLE4217L2) Dryer Parts Parts Diagram 03 - FR BLKHD, AIR DUCT, FELT SEAL & CYLINDER

[Click on the part number to view part](#)

Item	Original Part Number	Replaced By	Status	Part Description
1	500117W		Not Available	ASSY,BULKHEAD-FRONT-COMP
2	500153		Not Available	CYLINDER LIGHT HOUSING
6	501801	37001132		Seal, Cylinder
7	500022	510102		Baffle- SH
8	500013WP		Not Available	ASSY,CYLINDER-HOME-
9	22506P	511637P		Adh Dow 737 Clr 3 Oz Tube
10	Y62588			Screw, 10BT-12 X 1 Tap
13	Y501676	37001298		Glide- Dry
15	501554	12002090		Bracket
16	500001P		Not Available	(ADD LETTER BEFORE "P" IN PART
17	Y31645	27001200		Screw
18	56259		Not Available	STICKER
19	500049		Not Available	STICKER

21	502231	Not Available	DUCT, HEAT
22	502140P		Filter, Lint Kit
24	500226		Screw, 8b-16 x 5/8 Tap
25	502092		Cover, Lint Filter

