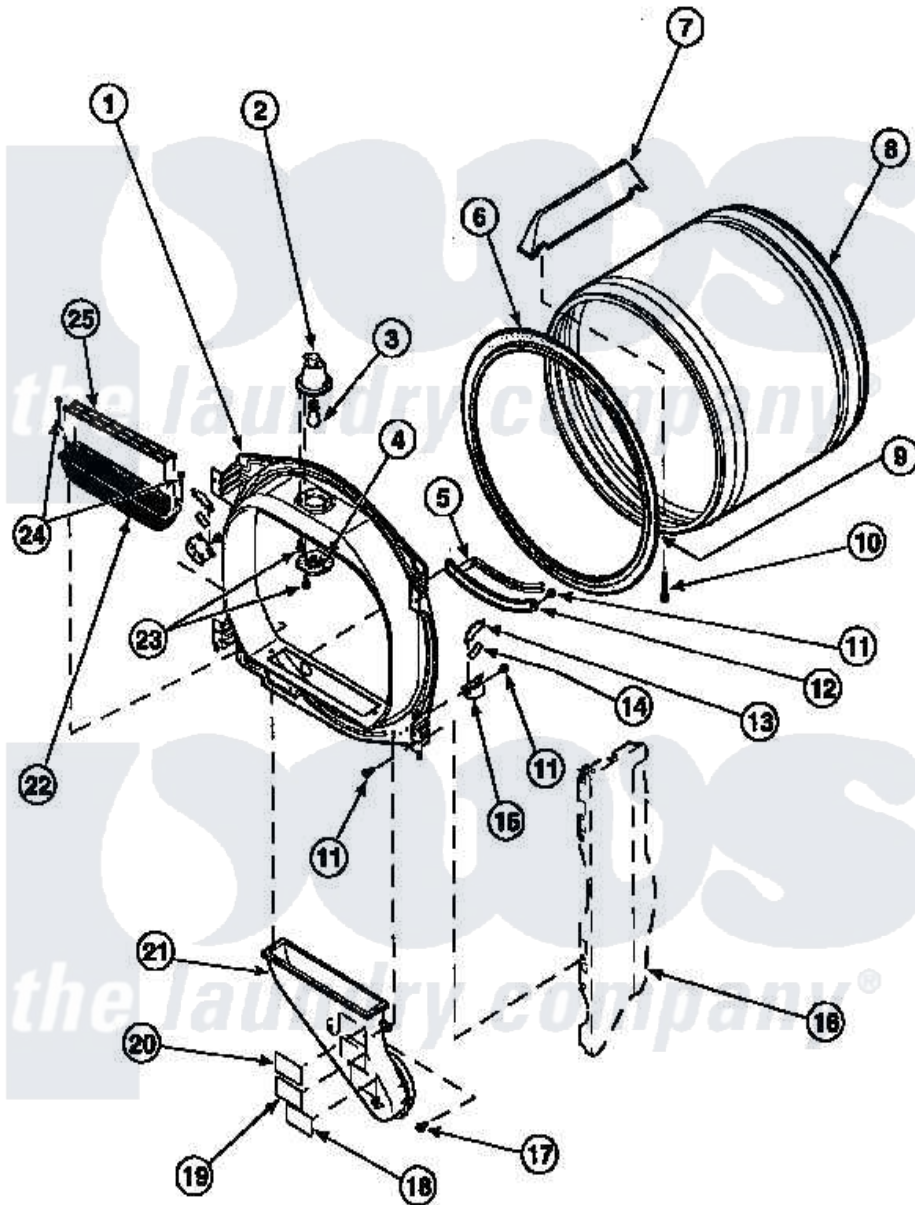


Amana LE4217W2 (BOM: PLE4217W2) 03 - FR BLKHD, AIR DUCT, FELT SEAL & CYLINDER



Amana Residential Amana LE4217W2 (BOM: PLE4217W2) Dryer Parts Parts Diagram 03 - FR BLKHD, AIR DUCT, FELT SEAL & CYLINDER
 Click on the part number to view part

Item	Original Part Number	Replaced By	Status	Part Description
1	500117W		Not Available	ASSY,BULKHEAD-FRONT-COMP
2	500153		Not Available	CYLINDER LIGHT HOUSING
6	501801	37001132		Seal, Cylinder
7	500022	510102		Baffle- SH
8	500013WP		Not Available	ASSY,CYLINDER-HOME-
9	22506P	511637P		Adh Dow 737 Clr 3 Oz Tube
10	Y62588			Screw, 10BT-12 X 1 Tap
13	Y501676	37001298		Glide- Dry
15	501554	12002090		Bracket
16	500001P		Not Available	(ADD LETTER BEFORE "P" IN PART
17	Y31645	27001200		Screw
18	56259		Not Available	STICKER
19	500049		Not Available	STICKER

21

502231

Not Available

DUCT, HEAT

22

[502140P](#)

Filter, Lint Kit

24

[500226](#)

Screw, 8b-16 x 5/8 Tap

25

[502092](#)

Cover, Lint Filter

