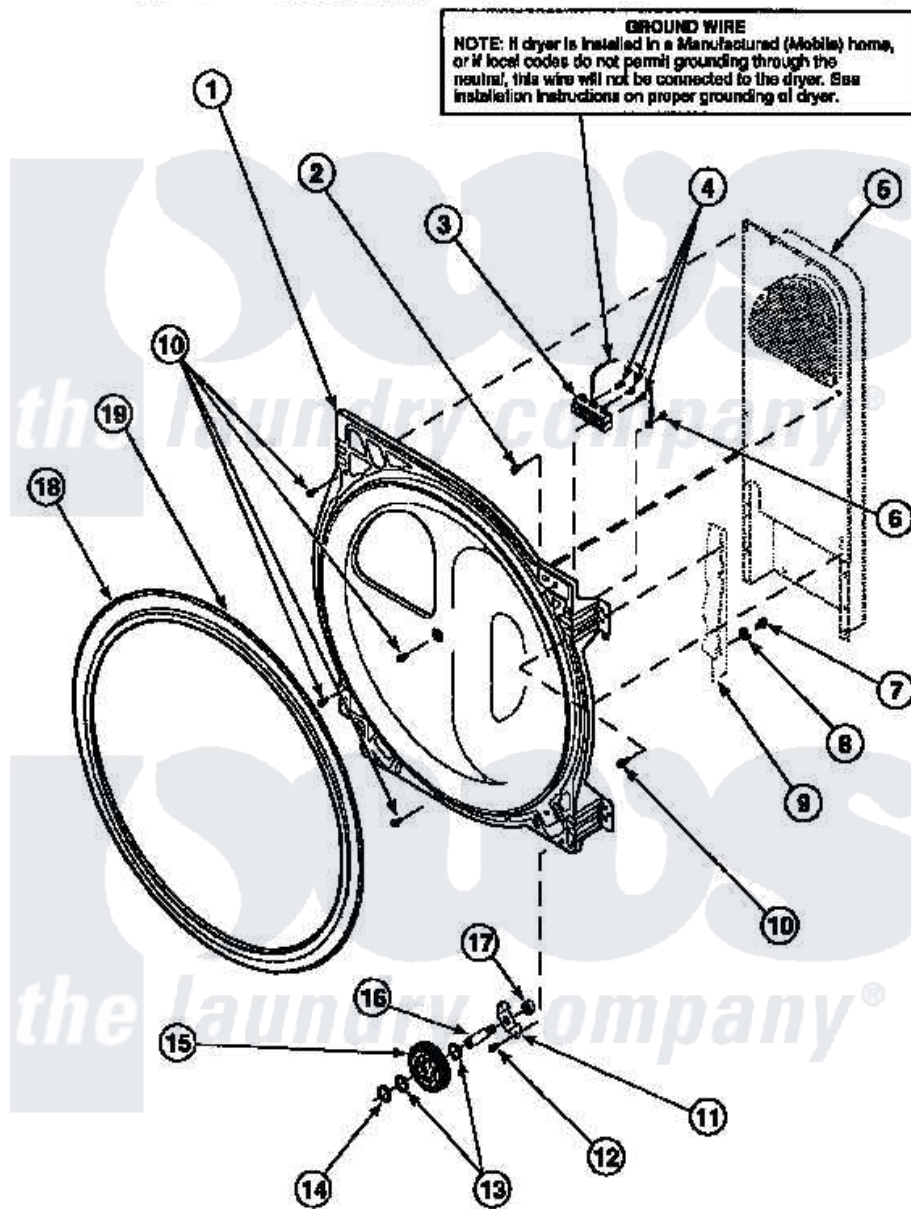


**Amana LE4217W2 (BOM: PLE4217W2) 19 - REAR
BLKHD/SEAL/CYLINDER ROLLER/TERM BLK**



Amana Residential Amana LE4217W2 (BOM: PLE4217W2) Dryer Parts Parts Diagram 19 - REAR
BLKHD/SEAL/CYLINDER ROLLER/TERM BLK
Click on the part number to view part

| Item | Original Part Number | Replaced By | Status | Part Description |
|------|------------------------|--------------------------|---------------|-----------------------------------|
| 1 | 502614W | 502614WP | | Bulkhead, Rear |
| " | Y501154 | | Not Available | ASSY, BULKHEAD |
| 2 | 501285 | | | Screw, No.12 X 9/16-Pla |
| 3 | 61923P | 61923 | | Block, Terminal |
| 4 | Y61199 | 3400094 | | Screw, 10-32 X 3/8 |
| 5 | 500179P | 503605 | | Assembly, Heater Duct |
| 6 | 20530 | | | Screw, 10-24 x 3/8 Hex |
| 7 | 20530 | | | Screw, 10-24 x 3/8 Hex |
| 8 | 51474 | | Not Available | WASHER, 13/64IDX1/2ODX. |
| 9 | 500001P | | Not Available | (ADD LETTER BEFORE "P" IN PART |
| 10 | 501668 | 503688 | | Screw, 10B-16 X .34 I |
| 11 | 500062 | 40113601 | | Assembly, Roller Brkt |
| 12 | 501668 | 503688 | | Screw, 10B-16 X .34 I |
| 13 | 52549 | | | Washer, 501 ID X3/4 Odx |

| | | | |
|----|-----------------------|--------------------------|---------------------------|
| 14 | 23748 | | Ring, Retaining |
| 15 | 500214P | 37001042 | Assembly, Cylinder Roller |
| 16 | 56461 | | Shaft |
| 17 | 56156 | 358160 | Nut |
| 18 | 501801 | 37001132 | Seal, Cylinder |
| 19 | 22506P | 511637P | Adh Dow 737 Clr 3 Oz Tube |

