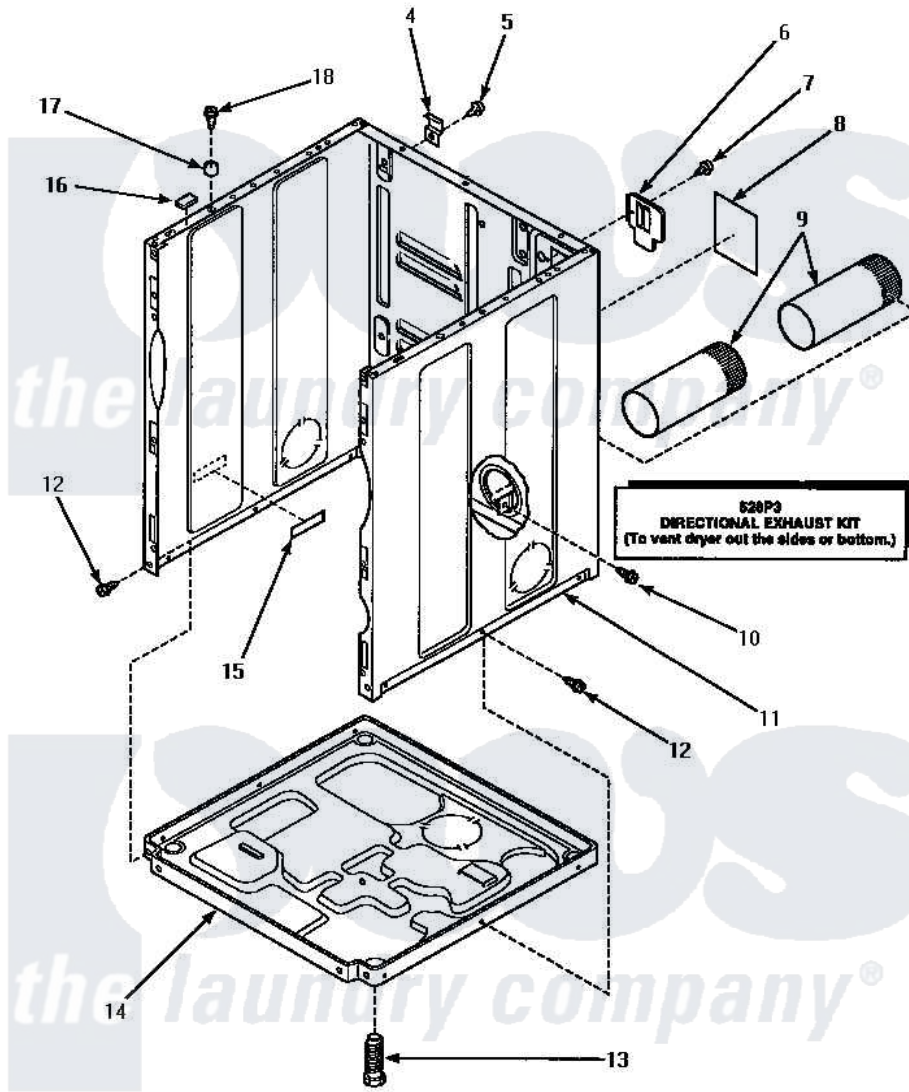


Amana LE4307L (BOM: P1163502W L) 03 - CABINET, EXHAUST DUCT & BASE



CABINET, EXHAUST DUCT AND BASE

Amana Residential Amana LE4307L (BOM: P1163502W L) Dryer Parts Parts Diagram 03 - CABINET, EXHAUST DUCT & BASE

Click on the part number to view part

| Item | Original Part Number | Replaced By | Status | Part Description |
|------|-------------------------|--------------------------|---------------|-----------------------|
| 4 | 500003 | | | Hinge, Top |
| 5 | 33562 | 27001200 | | Screw |
| 6 | 500114 | 510903 | | Plate Access Panel |
| 7 | 33562 | 27001200 | | Screw |
| 8 | 501289 | | Not Available | (ELECTRIC MODELS) |
| 9 | 500064 | 505518 | | Duct, Exhaust |
| 10 | 501668 | 503688 | | Screw, 10B-16 X .34 I |
| 11 | 500001HP | | Not Available | ASSY, CABINET |
| " | 500001LP | 727P3L | | Kit Dryer Panels |
| " | 500001WP | 37001284 | | Cabinet As Pack |
| 12 | 33562 | 27001200 | | Screw |
| 13 | Y500101 | | | Leg, Leveling |
| 14 | 500070 | | | Base, Dryer |
| 15 | 61294 | | Not Available | (ELECTRIC MODELS) |
| 16 | Y56128 | | | Pad, Bumper |

| | | | |
|----|-----------------------|-------------------------|-----------------------------|
| 17 | 56079 | 505187 | Locator, Panel |
| 18 | 32671 | Y014874 | Screw, Idler Arm And Sleeve |
| NI | 528P3 | | Directional Exhaust Kit |

