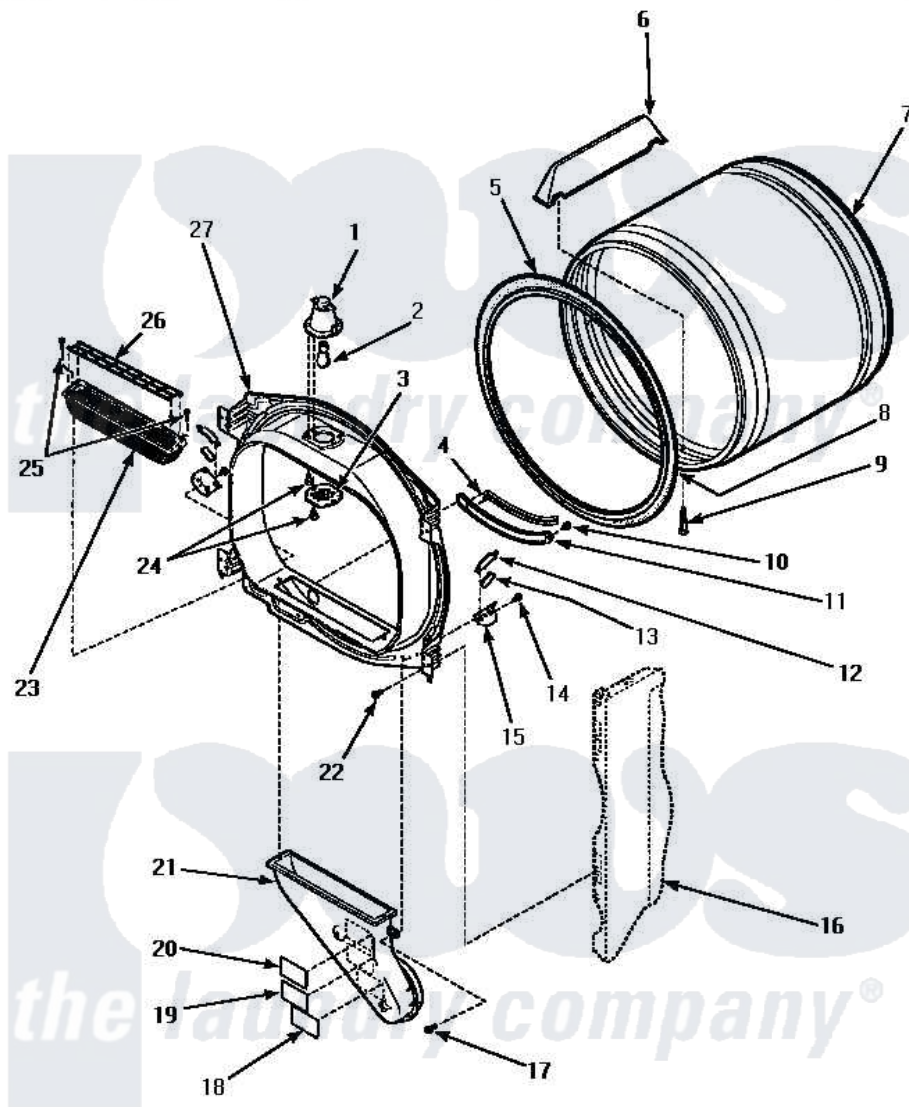


Amana LE4307W (BOM: P1163501W W) 04 - FR BLKHD, AIR DUCT, FELT SEAL & CYLINDER



FRONT BULKHEAD, AIR DUCT, FELT SEAL AND CYLINDER

Amana [Residential Amana LE4307W \(BOM: P1163501W W\) Dryer Parts](#) Parts Diagram 04 - FR BLKHD, AIR DUCT, FELT SEAL & CYLINDER

[Click on the part number to view part](#)

Item	Original Part Number	Replaced By	Status	Part Description
5	501801	37001132		Seal, Cylinder
6	500022	510102		Baffle- SH
7	500013WP		Not Available	ASSY,CYLINDER-HOME-
8	22506P	511637P		Adh Dow 737 Clr 3 Oz Tube
9	Y62588			Screw, 10BT-12 X 1 Tap
12	Y501676	37001298		Glide- Dry
13	500121	510189		Pad Felt
14	501668	503688		Screw, 10B-16 X .34 I
15	501554	12002090		Bracket
16	Y00000000		Not Available	SEE NOTE CABINET
17	Y31645	27001200		Screw
18	56259		Not Available	STICKER
19	500049		Not Available	STICKER
21	500241		Not Available	DUCT, HEAT
22	501668	503688		Screw, 10B-16 X .34 I

23	502093	502140P	Filter, Lint Kit
"	502140P		Filter, Lint Kit
24	500248	M0211530	Screw-SM No.8-18 X 3/8"
25	500226		Screw, 8b-16 x 5/8 Tap
26	502092		Cover, Lint Filter
27	500117W	Not Available	ASSY,BULKHEAD-FRONT-COMP

