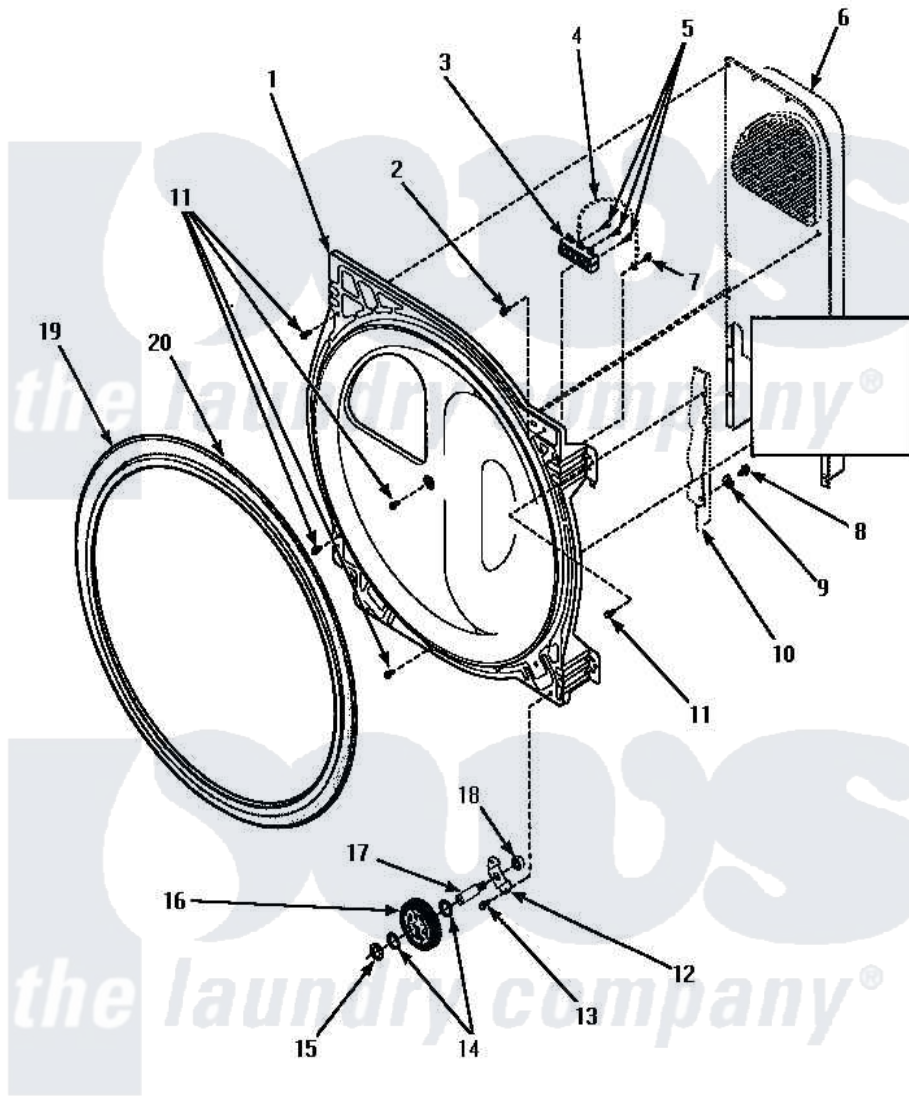


**Amana LE4317W2 (BOM: PLE4317W2) 01 - BULKHEAD/FELT SEAL/CYL ROLLER & TERM BLK**



**REAR BULKHEAD, FELT SEAL, CYLINDER ROLLER AND TERMINAL BLOCK**

Amana [Residential Amana LE4317W2 \(BOM: PLE4317W2\) Dryer Parts](#) Parts Diagram 01 - BULKHEAD/FELT SEAL/CYL ROLLER & TERM BLK  
 Click on the part number to view part

Item	Original Part Number	Replaced By	Status	Part Description
1	500356W	<a href="#">502614WP</a>		Bulkhead, Rear
2	<a href="#">501285</a>			Screw, No.12 X 9/16-Pla
3	61923P	<a href="#">61923</a>		Block, Terminal
4	Y00000000		Not Available	SEE NOTE SEE NOTE GROUND WIRE-GREEN -- (SEE NOTE)
5	Y61199	<a href="#">3400094</a>		Screw, 10-32 X 3/8
6	Y00000000		Not Available	SEE NOTE SEE NOTE HEATER BOX ASSEMBLY
7	<a href="#">20530</a>			Screw, 10-24 x 3/8 Hex
8	<a href="#">20530</a>			Screw, 10-24 x 3/8 Hex
9	51474		Not Available	WASHER,13/64IDX1/2ODX.
10	Y00000000		Not Available	SEE NOTE SEE NOTE CABINET
11	501668	<a href="#">503688</a>		Screw, 10B-16 X .34 I
12	500062	<a href="#">40113601</a>		Assembly, Roller Brkt

13	501668	<a href="#">503688</a>	Screw, 10B-16 X .34 I
14	<a href="#">52549</a>		Washer, 501 ID X3/4 Odx
15	<a href="#">23748</a>		Ring, Retaining
16	500214	<a href="#">37001042</a>	Assembly, Cylinder Roller
17	<a href="#">56461</a>		Shaft
18	56156	<a href="#">358160</a>	Nut
19	501801	<a href="#">37001132</a>	Seal, Cylinder
20	22506P	<a href="#">511637P</a>	Adh Dow 737 Clr 3 Oz Tube

