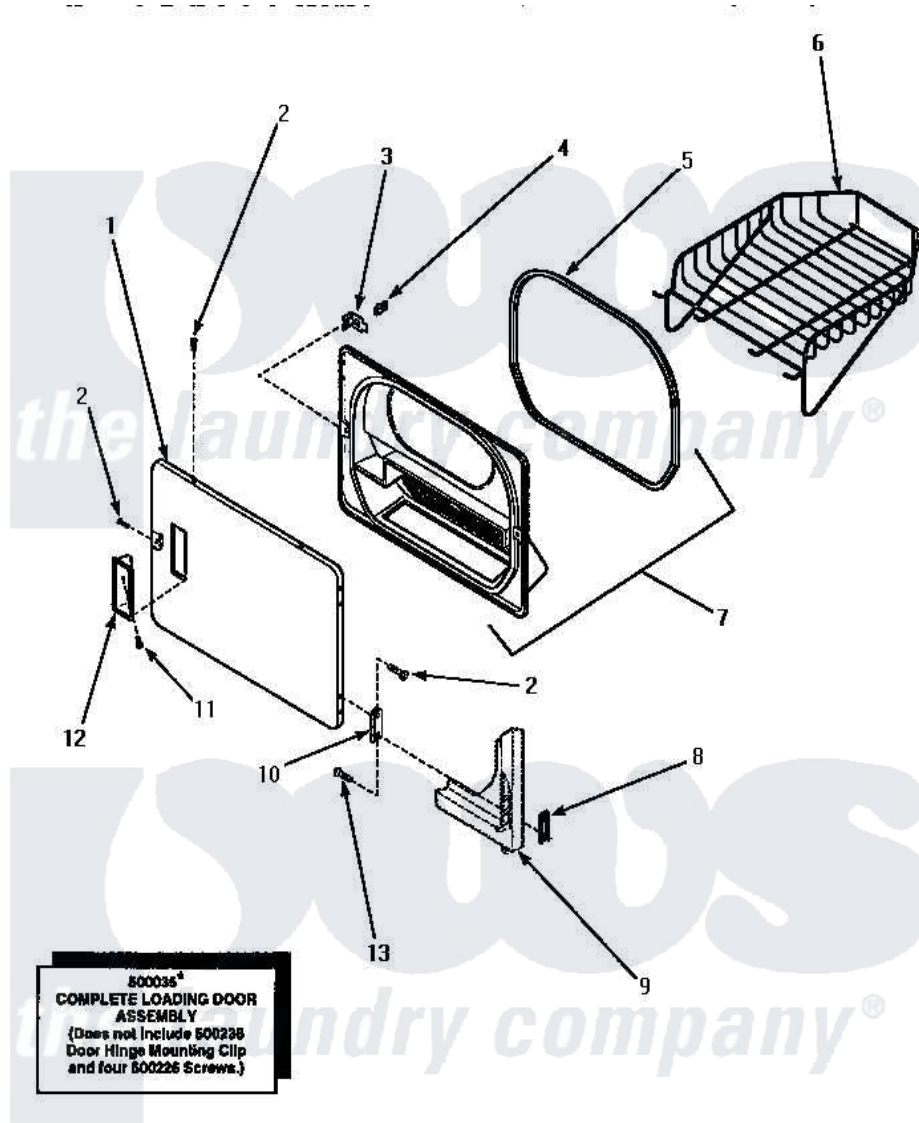


Amana LE4407L (BOM: P1163602W L) 08 - LOADING DOOR WITH DRYING RACK



LOADING DOOR WITH DRYING RACK

Amana Residential Amana LE4407L (BOM: P1163602W L) [Dryer Parts](#) Parts Diagram 08 - LOADING DOOR WITH DRYING RACK

[Click on the part number to view part](#)

| Item | Original Part Number | Replaced By | Status | Part Description |
|------|-------------------------|--------------------------|---------------|------------------------|
| 1 | 500040L | | | Assembly, Door-Home |
| " | 500040W | | | Assembly, Door-Home |
| 2 | 500226 | | | Screw, 8b-16 x 5/8 Tap |
| 3 | 500223 | 40116201 | | Bracket, Door Strike |
| 4 | 500039 | 510181 | | Strike Doormetal |
| 5 | 500200 | | Not Available | SEAL,DOOR |
| 6 | 501295P | | Not Available | RACK, DRYING |
| 7 | 500199 | | Not Available | ASSY,LINER & SEAL |
| 8 | 500236 | | | Clip, Door Hinge Mount |
| 9 | Y00000000 | | Not Available | SEE NOTE FRONT PANEL |
| 10 | 500041 | Y503676 | | Hinge, Door And Top |
| 11 | 500297 | 8281236 | | Screw |
| 12 | 500042L | | Not Available | PULL,DOOR |
| " | 500042W | | Not Available | PULL,DOOR |
| 13 | 500226 | | | Screw, 8b-16 x 5/8 Tap |

NI 500035W

Not Available

ASSY,DOOR-HOME

" 500035L

Not Available

ASSY,DOOR-HOME

