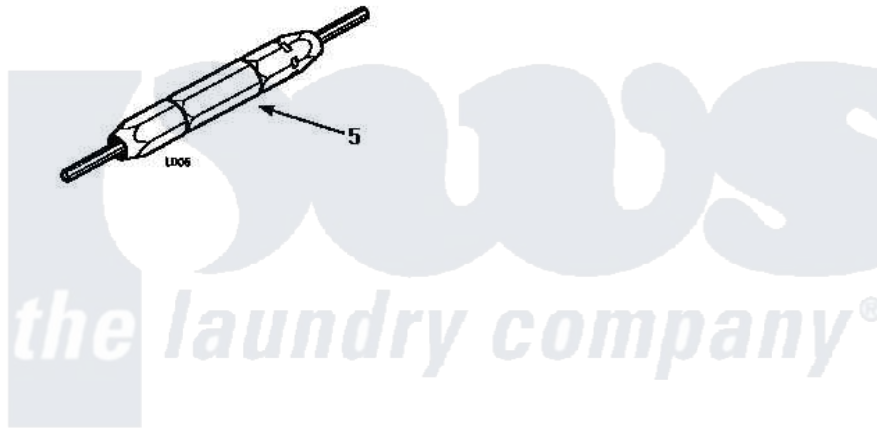
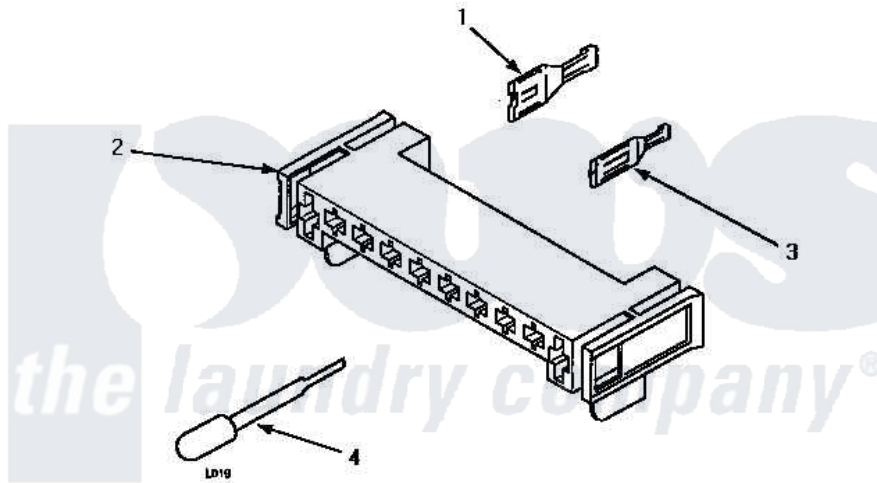


**Amana LE4407W (BOM: P1163601W W) 11 - MTR CONN BLOCK/TERM & EXTRACTOR TOOL**



**MOTOR CONNECTION BLOCK, TERMINALS AND TERMINAL EXTRACTOR TOOLS**

Amana Residential Amana LE4407W (BOM: P1163601W W) [Dryer Parts](#) Parts Diagram 11 - MTR CONN BLOCK/TERM & EXTRACTOR TOOL

[Click on the part number to view part](#)

| Item | Original Part Number   | Replaced By | Status        | Part Description               |
|------|------------------------|-------------|---------------|--------------------------------|
| 1    | 00255                  |             | Not Available | (1/4 INCH-FOR (1) 12 GAUGE WIR |
| "    | <a href="#">Y00256</a> |             |               | Spade Terminal Or              |
| 2    | <a href="#">500338</a> |             |               | Housing-10 Position            |
| 3    | <a href="#">Y00188</a> |             |               | Molex Terminal                 |
| 4    | <a href="#">283P4</a>  |             |               | Terminal Extractor Tool        |
| 5    | <a href="#">190P4</a>  |             |               | Terminal Extractor Tool        |