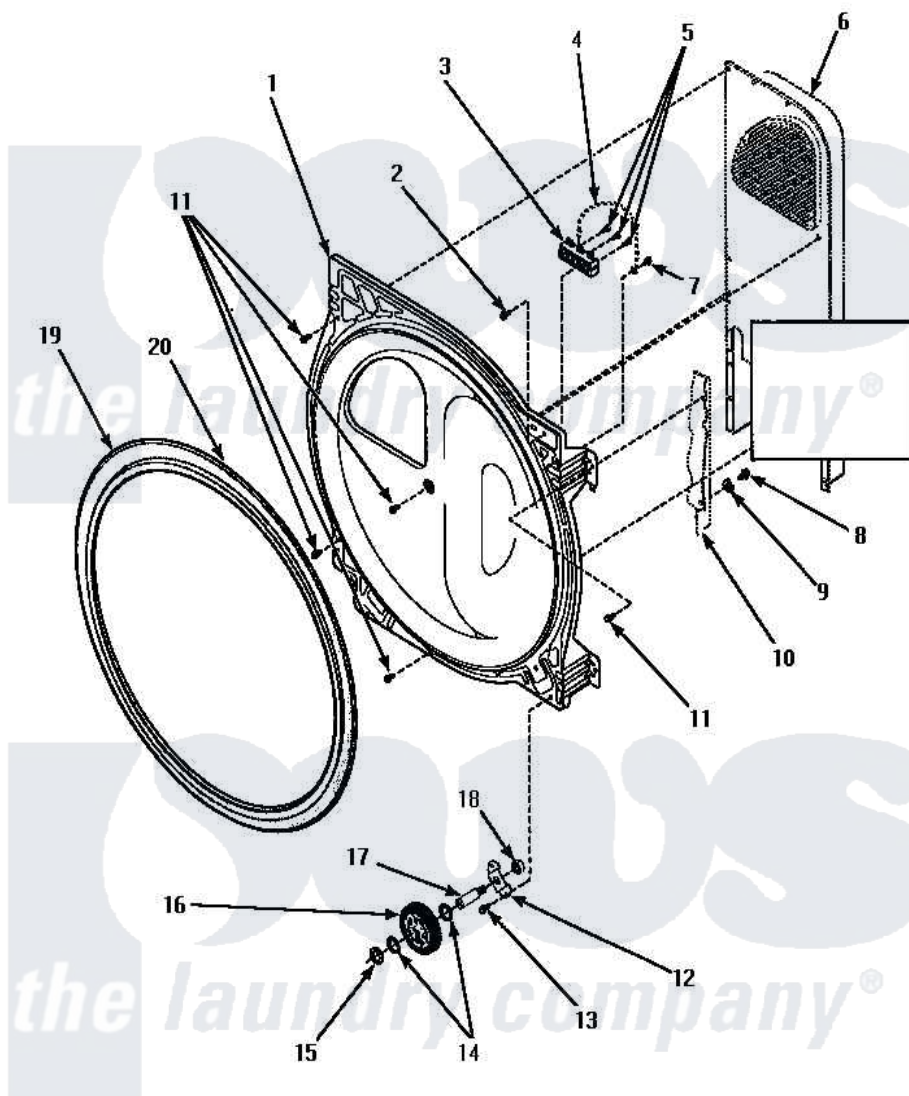


**Amana LE4607L (BOM: P1163615W L) 01 - BULKHEAD/FELT SEAL/CYL ROLLER & TERM BLK**



**REAR BULKHEAD, FELT SEAL, CYLINDER ROLLER AND TERMINAL BLOCK**

Amana [Residential Amana LE4607L \(BOM: P1163615W L\) Dryer Parts](#) Parts Diagram 01 - BULKHEAD/FELT SEAL/CYL ROLLER & TERM BLK

[Click on the part number to view part](#)

Item	Original Part Number	Replaced By	Status	Part Description
1	500356W	<a href="#">502614WP</a>		Bulkhead, Rear
2	<a href="#">501285</a>			Screw, No.12 X 9/16-Pla
3	61923P	<a href="#">61923</a>		Block, Terminal
4	Y00000000		Not Available	SEE NOTE GROUND WIRE, GREEN -- (SEE NOTE)
5	Y61199	<a href="#">3400094</a>		Screw, 10-32 X 3/8
6	Y00000000		Not Available	SEE NOTE HEATER BOX ASSEMBLY
7	501668	<a href="#">503688</a>		Screw, 10B-16 X .34 I
8	<a href="#">20530</a>			Screw, 10-24 x 3/8 Hex
9	51474		Not Available	WASHER, 13/64IDX1/2ODX.
10	Y00000000		Not Available	SEE NOTE CABINET
11	502120	<a href="#">489069</a>		Xxscrew, 10-12 X 1/2
12	500062	<a href="#">40113601</a>		Assembly, Roller Brkt
13	501668	<a href="#">503688</a>		Screw, 10B-16 X .34 I

14	<a href="#">52549</a>	Washer, 501 ID X3/4 Odx	
15	<a href="#">23748</a>	Ring, Retaining	
16	500214	<a href="#">37001042</a>	Assembly, Cylinder Roller
17	<a href="#">56461</a>	Shaft	
18	56156	<a href="#">358160</a>	Nut
19	501801	<a href="#">37001132</a>	Seal, Cylinder
20	22506P	<a href="#">511637P</a>	Adh Dow 737 Clr 3 Oz Tube

