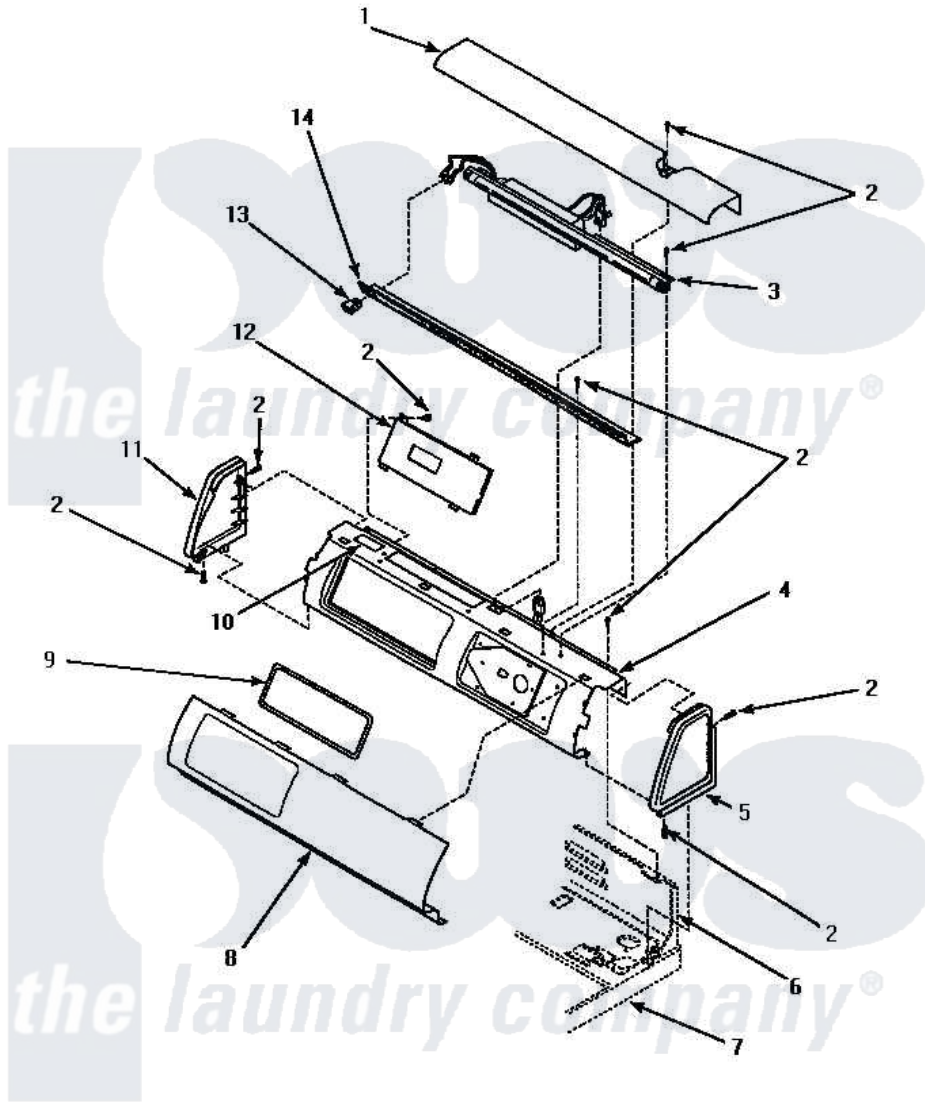


**Amana LE4807W (BOM: P1163705W W) 05 - GRAPHIC PANEL, CONTROL HOOD & CONTROLS**



**GRAPHIC PANEL, CONTROL HOOD AND CONTROLS**

Amana [Residential Amana LE4807W \(BOM: P1163705W W\) Dryer Parts](#) Parts Diagram 05 - GRAPHIC PANEL, CONTROL HOOD & CONTROLS  
 Click on the part number to view part

Item	Original Part Number	Replaced By	Status	Part Description
"	NOTE:		Not Available	IF DRYER IS INSTALLED IN A MANUFACTURED (MOBILE) HOME, OR IF LOCAL CODES DO NOT PERMIT GROUNDING THROUGH THE NEUTRAL, THIS WIRE WILL NOT BE CONNECTED TO THE DR
1	500302		Not Available	COVER, TOP
2	501086	<a href="#">90767</a>		Screw, 8A X 3/8 HeX Washer Head Tapping
3	34841		Not Available	STARTER, FLUORESCENT
"	<a href="#">34836</a>			Assembly, Fluorescent Light
"	34837		Not Available	BULB, FLUORESCENT
4	<a href="#">500301</a>			Bracket, Electronic Control
5	34815		Not Available	PANEL, END R.H. (BLK)
6	Y0000000		Not Available	SEE NOTE CONTROL HOOD REAR PANEL

7	Y0000000	Not Available	SEE NOTE CABINET TOP
8	500757	Not Available	PANEL, GRAPHIC
9	Y500528	Not Available	GASKET, ELECTRONIC CONTROL
10	24903	Not Available	STICKER, DISCONNECT POW
11	<a href="#">34816</a>		Panel, End
12	501273	Not Available	TIMER
13	35037	<a href="#">74008718</a>	Switch, Rocker
14	500308	Not Available	DIFFUSER W/HOLE

