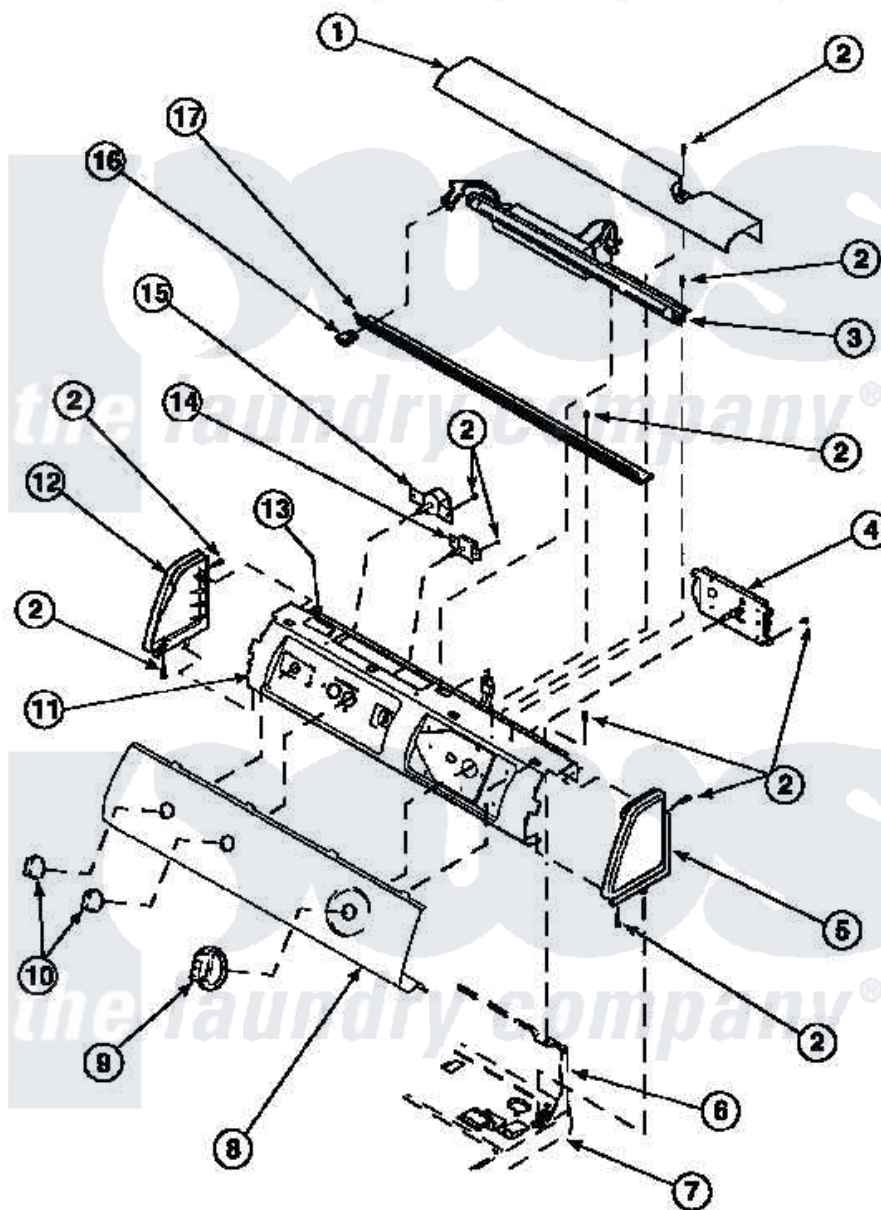


# Amana LE7111LM (BOM: PLE7111LM) 08 - GRAPHIC PANEL, CONTROL HOOD AND CONTROLS



Amana [Residential Amana LE7111LM \(BOM: PLE7111LM\) Dryer Parts](#) Parts Diagram 08 - GRAPHIC PANEL, CONTROL HOOD AND CONTROLS  
 Click on the part number to view part

Item	Original Part Number	Replaced By	Status	Part Description
1	500303		Not Available	COVER, TOP
2	501086	<a href="#">90767</a>		Screw, 8A X 3/8 HeX Washer Head Tapping
5	34817		Not Available	END CAP(RIGHT)
6	500343		Not Available	PANEL,BACK(HOME HOOD)
7	500085P		Not Available	(ADD LETTER L-L, W-W TO PART N
9	502220		Not Available	KNOB, TIMER
10	36701		Not Available	KNOB, TEMP
11	500300		Not Available	BRACKET,CONTROL SUPPORT-MECH
12	34818		Not Available	END CAP(LEFT)
13	24903		Not Available	STICKER,DISCONNECT POW
14	<a href="#">500823</a>			Signal, Rotary