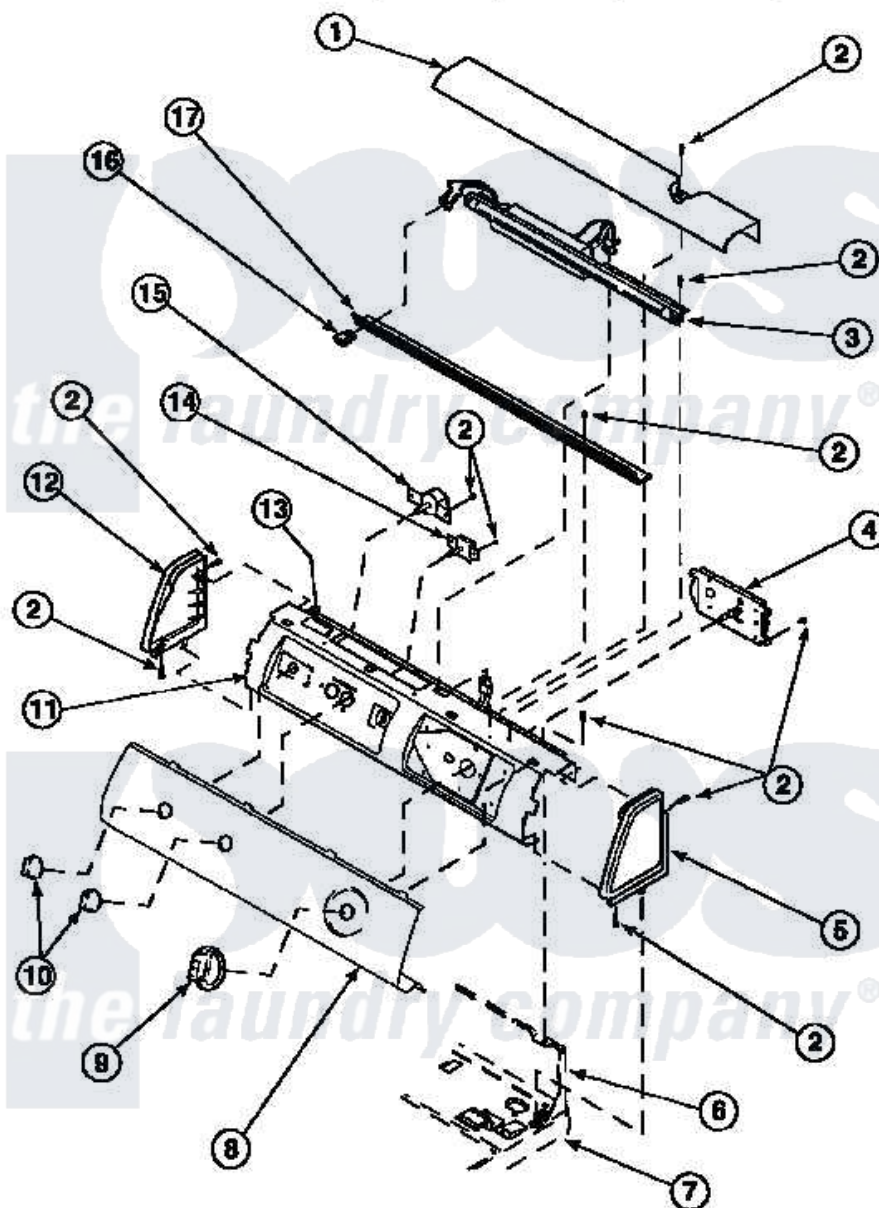


Amana LE7153LB (BOM: PLE7153LB) 08 - GRAPHIC PANEL, CONTROL HOOD AND CONTROLS



Amana Residential Amana LE7153LB (BOM: PLE7153LB) Dryer Parts Parts Diagram 08 - GRAPHIC PANEL, CONTROL HOOD AND CONTROLS

[Click on the part number to view part](#)

| Item | Original Part Number | Replaced By | Status | Part Description |
|------|------------------------|-------------------------|---------------|---|
| 2 | 501086 | 90767 | | Screw, 8A X 3/8 HeX Washer Head Tapping |
| 4 | 502967 | 502967P | | Timer 5 Cycle Package |
| 6 | 500343 | | Not Available | PANEL, BACK(HOME HOOD) |
| 7 | 500085P | | Not Available | (ADD LETTER L-L, W-W TO PART N |
| 11 | 500300 | | Not Available | BRACKET, CONTROL SUPPORT-MECH |
| 13 | 24903 | | Not Available | STICKER, DISCONNECT POW |
| 14 | 500823 | | | Signal, Rotary |
| 15 | 62173 | | | Switch, Temperature Select |