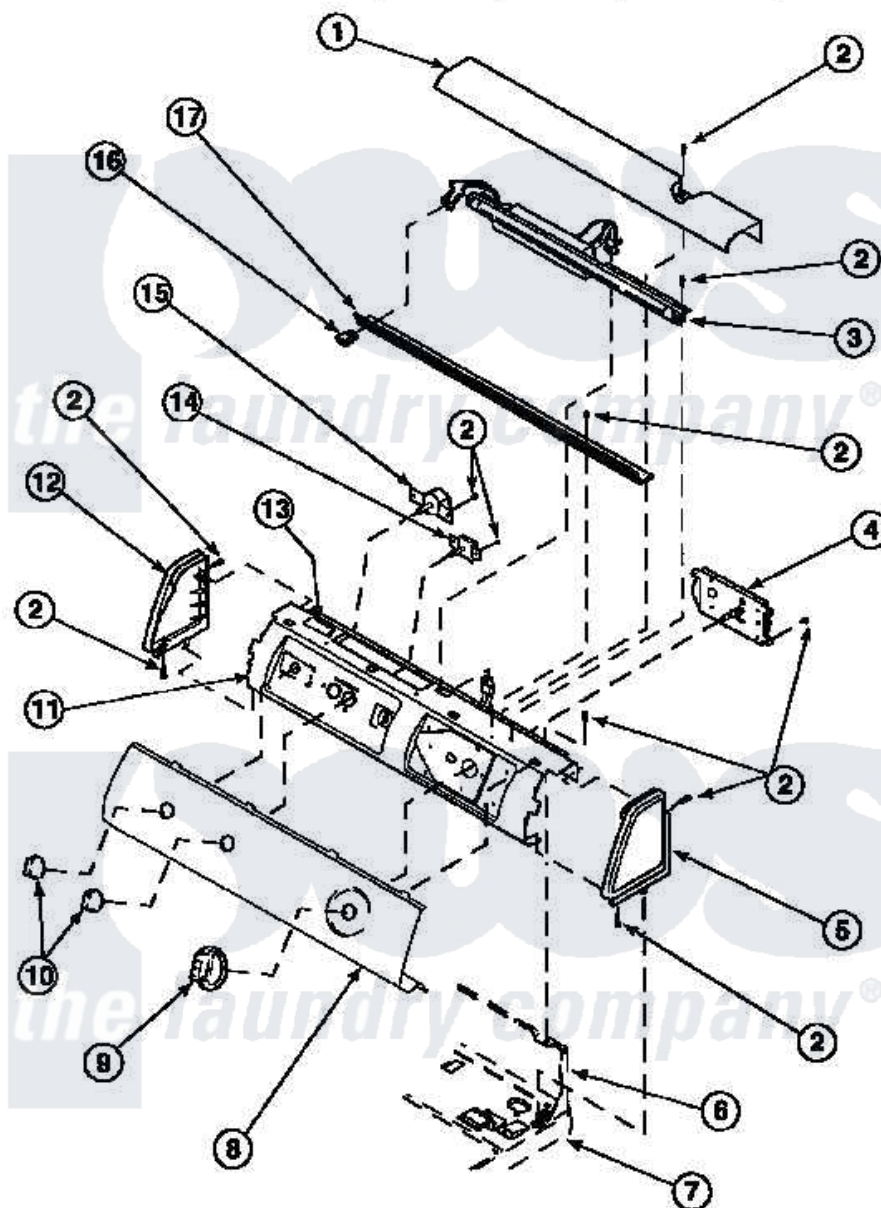


Amana LE7153LM (BOM: PLE7153LM) 08 - GRAPHIC PANEL, CONTROL HOOD AND CONTROLS



Amana [Residential Amana LE7153LM \(BOM: PLE7153LM\) Dryer Parts](#) Parts Diagram 08 - GRAPHIC PANEL, CONTROL HOOD AND CONTROLS
 Click on the part number to view part

Item	Original Part Number	Replaced By	Status	Part Description
1	500303		Not Available	COVER, TOP
2	501086	90767		Screw, 8A X 3/8 HeX Washer Head Tapping
4	502967	502967P		Timer 5 Cycle Package
5	34817		Not Available	END CAP(RIGHT)
6	500343		Not Available	PANEL, BACK(HOME HOOD)
7	500085P		Not Available	(ADD LETTER L-L, W-W TO PART N
9	502220		Not Available	KNOB, TIMER
10	36701		Not Available	KNOB, TEMP
11	500300		Not Available	BRACKET, CONTROL SUPPORT-MECH
12	34818		Not Available	END CAP(LEFT)
13	24903		Not Available	STICKER, DISCONNECT POW
14	500823			Signal, Rotary

