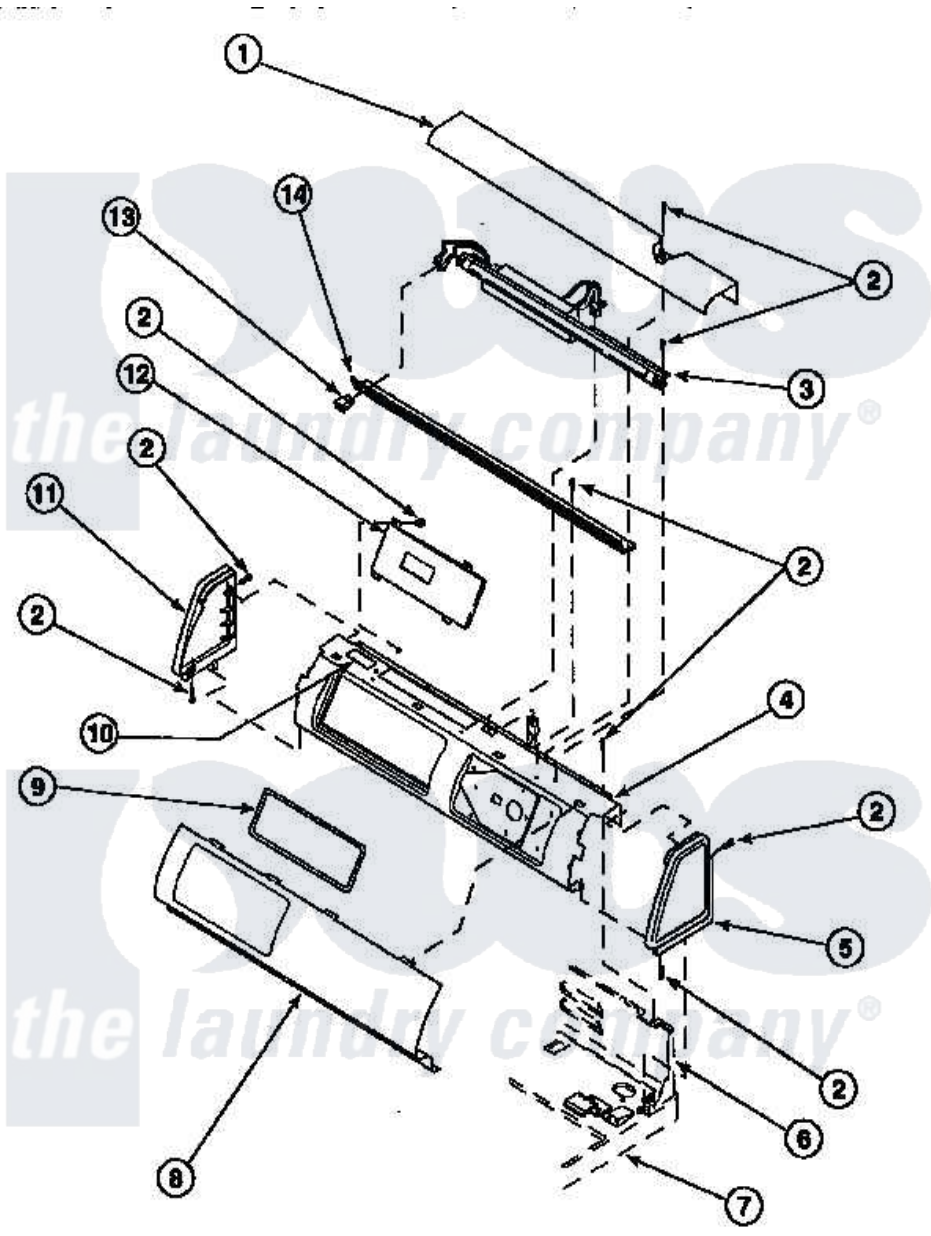


Amana LE7153LM (BOM: PLE7153LM) 09 - GRAPHIC PANEL, CONTROL HOOD AND CONTROLS



Amana [Residential Amana LE7153LM \(BOM: PLE7153LM\) Dryer Parts](#) Parts Diagram 09 - GRAPHIC PANEL, CONTROL HOOD AND CONTROLS
 Click on the part number to view part

| Item | Original Part Number | Replaced By | Status | Part Description |
|------|----------------------|-----------------------|---------------|---|
| 1 | 500303 | | Not Available | COVER, TOP |
| 2 | 501086 | 90767 | | Screw, 8A X 3/8 HeX Washer Head Tapping |
| 5 | 34817 | | Not Available | END CAP(RIGHT) |
| 6 | 500343 | | Not Available | PANEL,BACK(HOME HOOD) |
| 7 | 500085P | | Not Available | (ADD LETTER L-L, W-W TO PART N |
| 10 | 24903 | | Not Available | STICKER,DISCONNECT POW |
| 11 | 34818 | | Not Available | END CAP(LEFT) |