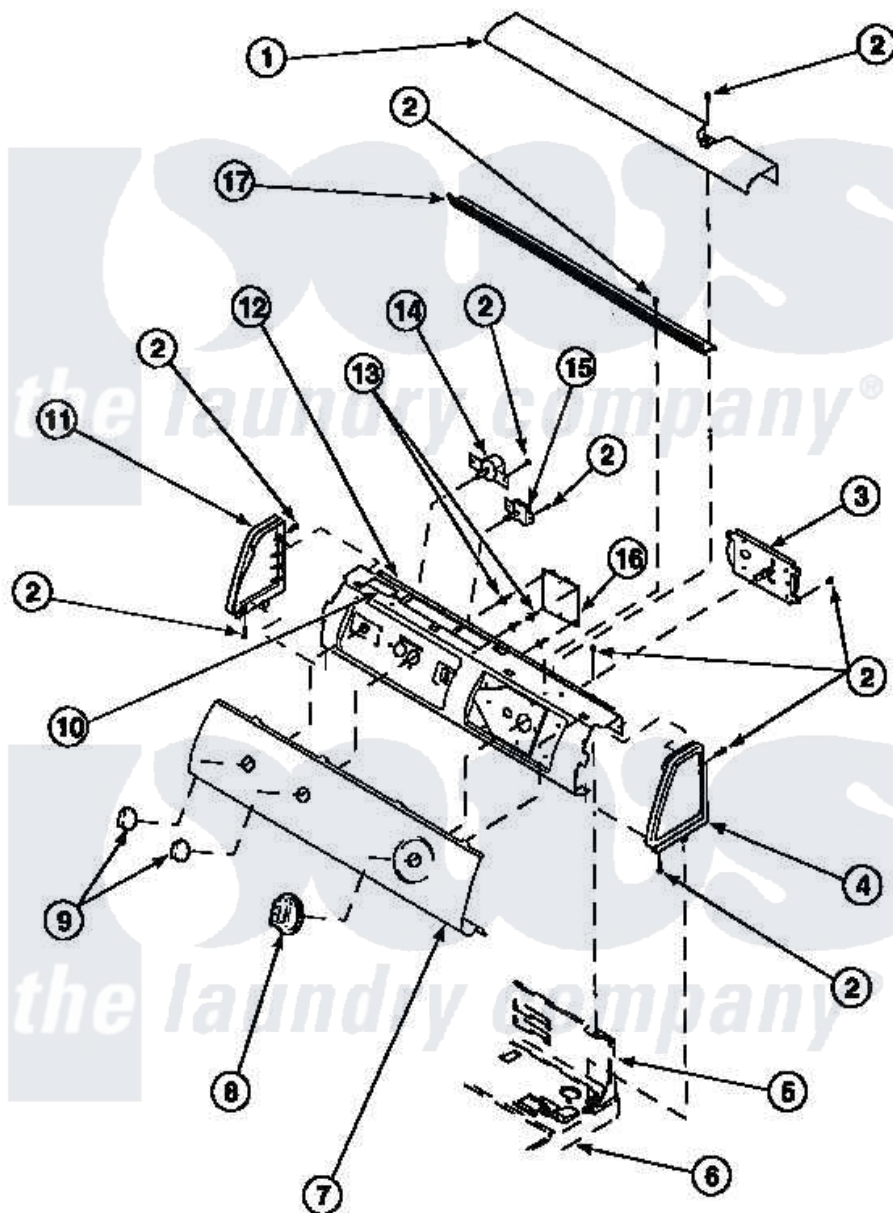


# Amana LE8207L3 (BOM: PLE8207L3) 07 - GRAPHIC PANEL, CONTROL HOOD AND CONTROLS



Amana Residential Amana LE8207L3 (BOM: PLE8207L3) Washer Parts Parts Diagram 07 - GRAPHIC PANEL, CONTROL HOOD AND CONTROLS  
Click on the part number to view part

Item	Original Part Number	Replaced By	Status	Part Description
1	500303		Not Available	COVER, TOP
2	501086	<a href="#">90767</a>		Screw, 8A X 3/8 HeX Washer Head Tapping
3	501881		Not Available	TIMER
4	34817		Not Available	END CAP(RIGHT)
5	500343		Not Available	PANEL, BACK(HOME HOOD)
6	500085P		Not Available	(ADD LETTER L-L, W-W TO PART N
7	503127		Not Available	PANEL, GRAPHICS
8	502220		Not Available	KNOB, TIMER
10	24903		Not Available	STICKER, DISCONNECT POW
11	34818		Not Available	END CAP(LEFT)
12	500300		Not Available	BRACKET, CONTROL SUPPORT-MECH
17	500305		Not Available	DIFFUSER W/OUT HOLE