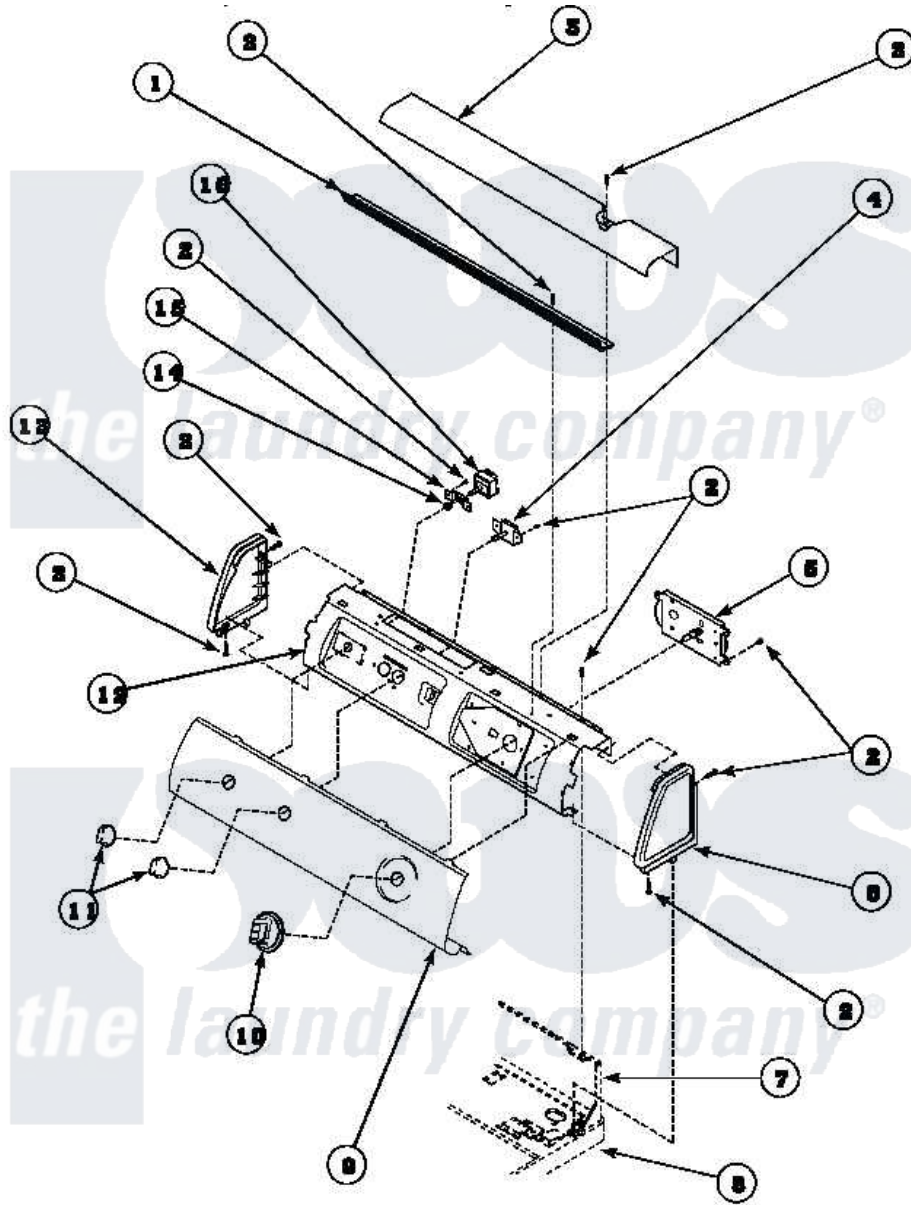


**Amana LE8207W2B (BOM: PLE8207W2 B) 04 - GRAPHIC PANEL,
CONTROL HOOD AND CONTROLS**



Amana [Residential Amana LE8207W2B \(BOM: PLE8207W2 B\) Dryer Parts](#) Parts Diagram 04 - GRAPHIC PANEL,
CONTROL HOOD AND CONTROLS
Click on the part number to view part

Item	Original Part Number	Replaced By	Status	Part Description
1	500305		Not Available	DIFFUSER W/OUT HOLE
2	501086	90767		Screw, 8A X 3/8 HeX Washer Head Tapping
3	500303		Not Available	COVER, TOP
5	503559			Timer
6	34817		Not Available	END CAP(RIGHT)
7	500343		Not Available	PANEL,BACK(HOME HOOD)
8	500085P		Not Available	(ADD LETTER L-L, W-W TO PART N
9	503127		Not Available	PANEL, GRAPHICS
10	502220		Not Available	KNOB, TIMER
12	500300		Not Available	BRACKET,CONTROL SUPPORT-MECH
13	34818		Not Available	END CAP(LEFT)