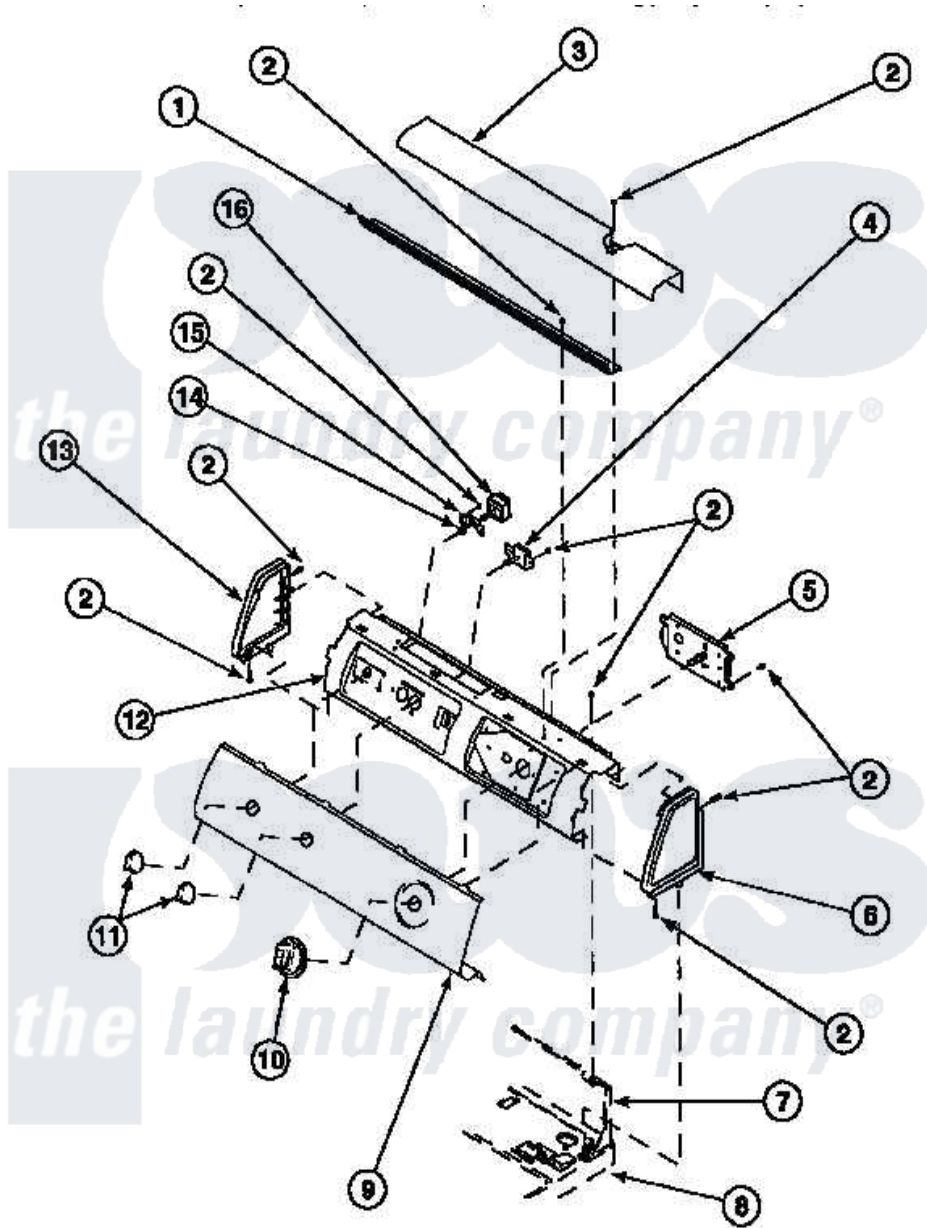


**Amana LE8207W3 (BOM: PLE8207W3) 06 - GRAPHIC PANEL, CONTROL HOOD AND CONTROLS**



Amana Residential Amana LE8207W3 (BOM: PLE8207W3) Dryer Parts Parts Diagram 06 - GRAPHIC PANEL, CONTROL HOOD AND CONTROLS  
 Click on the part number to view part

| Item | Original Part Number | Replaced By           | Status        | Part Description                        |
|------|----------------------|-----------------------|---------------|---|
| 1    | 500305               |                       | Not Available | DIFFUSER W/OUT HOLE                     |
| 2    | 501086               | <a href="#">90767</a> |               | Screw, 8A X 3/8 HeX Washer Head Tapping |
| 3    | 500303               |                       | Not Available | COVER, TOP                              |
| 5    | 501881               |                       | Not Available | TIMER                                   |
| 6    | 34817                |                       | Not Available | END CAP(RIGHT)                          |
| 7    | 500343               |                       | Not Available | PANEL,BACK(HOME HOOD)                   |
| 8    | 500085P              |                       | Not Available | (ADD LETTER L-L, W-W TO PART N          |
| 10   | 502220               |                       | Not Available | KNOB, TIMER                             |
| 12   | 500300               |                       | Not Available | BRACKET,CONTROL SUPPORT-MECH            |
| 13   | 34818                |                       | Not Available | END CAP(LEFT)                           |