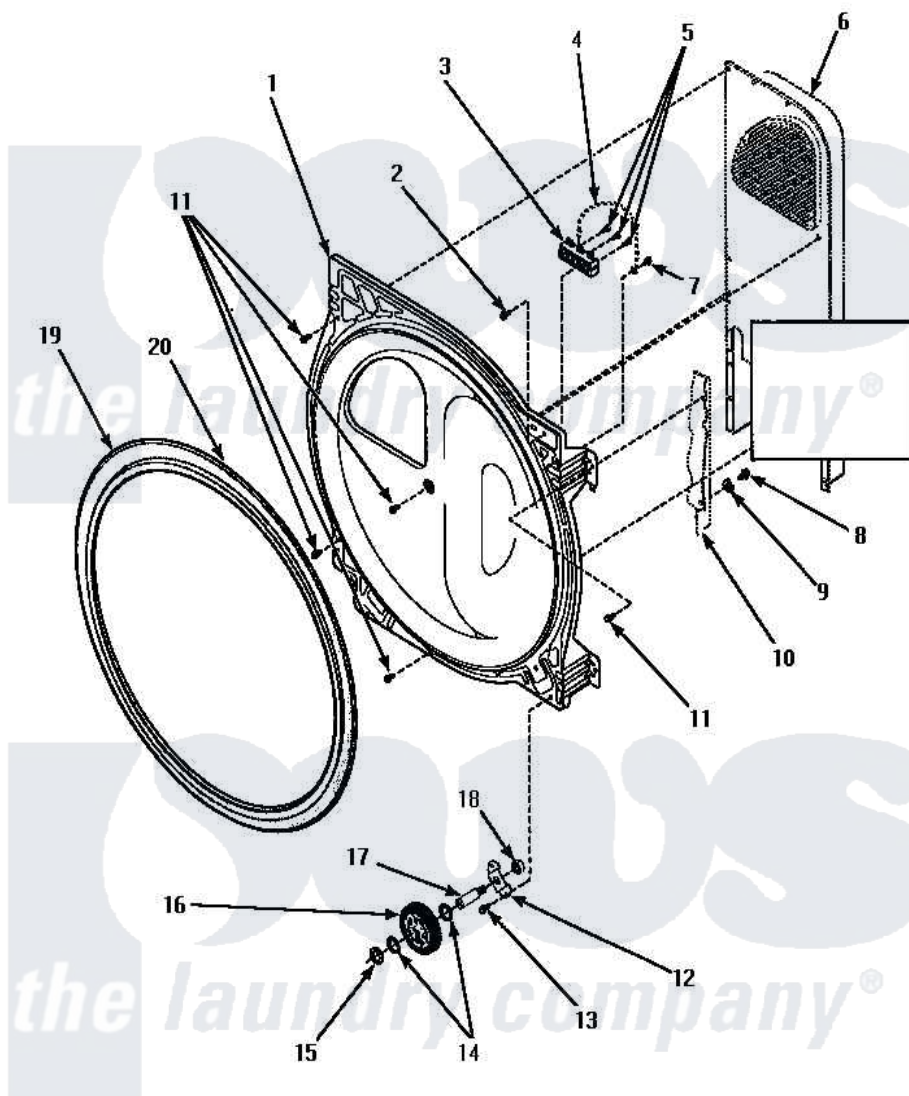


Amana LE8327W (BOM: PLE8327W) 01 - BULKHEAD/FELT SEAL/CYL ROLLER & TERM BLK



REAR BULKHEAD, FELT SEAL, CYLINDER ROLLER AND TERMINAL BLOCK

Amana [Residential Amana LE8327W \(BOM: PLE8327W\) Dryer Parts](#) Parts Diagram 01 - BULKHEAD/FELT SEAL/CYL ROLLER & TERM BLK

[Click on the part number to view part](#)

| Item | Original Part Number | Replaced By | Status | Part Description |
|------|------------------------|--------------------------|---------------|---|
| 1 | 500356W | 502614WP | | Bulkhead, Rear |
| 2 | 501285 | | | Screw, No.12 X 9/16-Pla |
| 3 | 61923P | 61923 | | Block, Terminal |
| 4 | Y00000000 | | Not Available | SEE NOTE GROUND WIRE, GREEN -- (SEE NOTE) |
| 5 | Y61199 | 3400094 | | Screw, 10-32 X 3/8 |
| 6 | Y00000000 | | Not Available | SEE NOTE HEATER BOX ASSEMBLY |
| 7 | 501668 | 503688 | | Screw, 10B-16 X .34 I |
| 8 | 20530 | | | Screw, 10-24 x 3/8 Hex |
| 9 | 51474 | | Not Available | WASHER, 13/64IDX1/2ODX. |
| 10 | Y00000000 | | Not Available | SEE NOTE CABINET |
| 11 | 502120 | 489069 | | Xxscrew, 10-12 X 1/2 |
| 12 | 500062 | 40113601 | | Assembly, Roller Brkt |
| 13 | 501668 | 503688 | | Screw, 10B-16 X .34 I |

| | | | |
|----|-----------------------|--------------------------|---------------------------|
| 14 | 52549 | Washer, 501 ID X3/4 Odx | |
| 15 | 23748 | Ring, Retaining | |
| 16 | 500214 | 37001042 | Assembly, Cylinder Roller |
| 17 | 56461 | Shaft | |
| 18 | 56156 | 358160 | Nut |
| 19 | 501801 | 37001132 | Seal, Cylinder |
| 20 | 22506P | 511637P | Adh Dow 737 Clr 3 Oz Tube |

