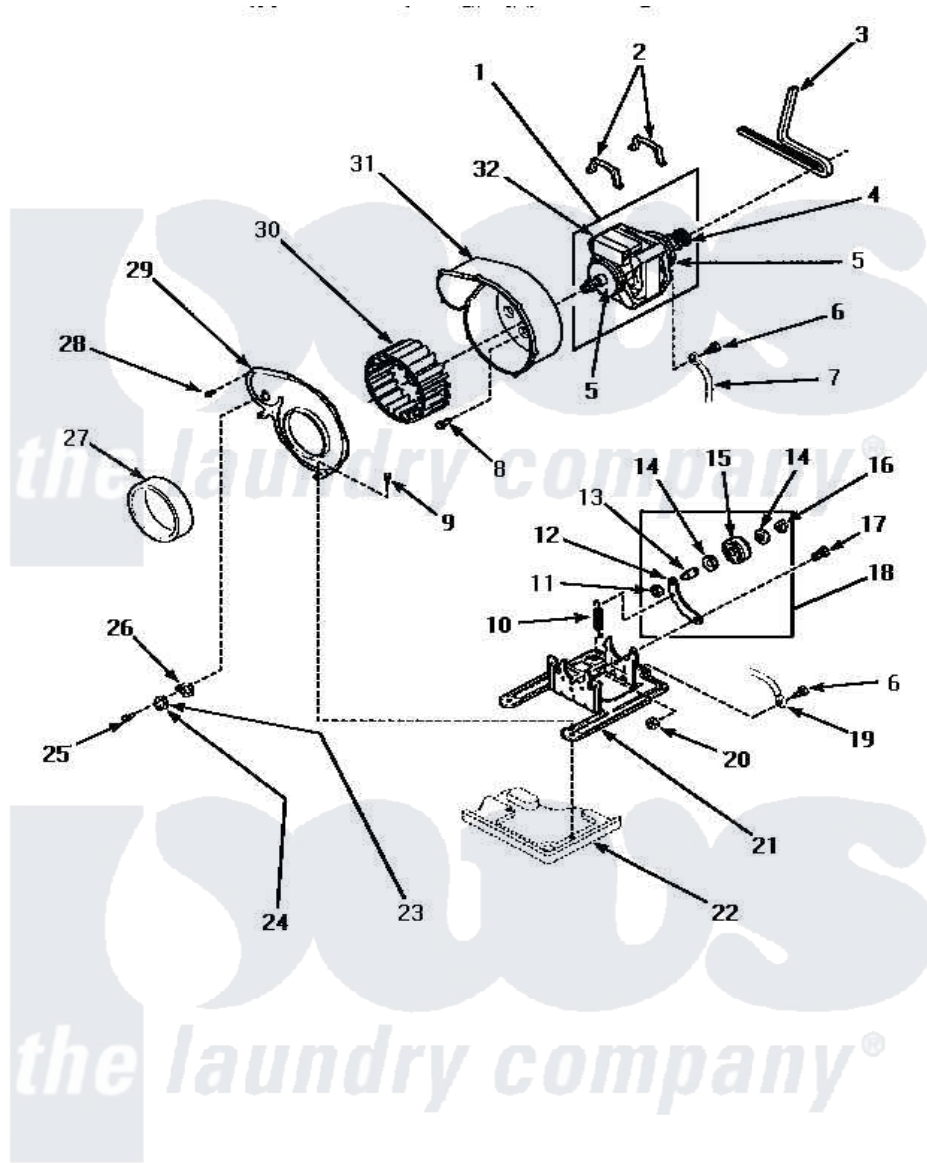


Amana LE8327W (BOM: PLE8327W) 10 - MOTOR, EXHAUST FAN & BELT



MOTOR, EXHAUST FAN AND BELT

Amana Residential Amana LE8327W (BOM: PLE8327W) Dryer Parts Parts Diagram 10 - MOTOR, EXHAUST FAN & BELT

[Click on the part number to view part](#)

Item	Original Part Number	Replaced By	Status	Part Description
1	501211	2200376		Motor
2	Y58047	660658		Clamp, Motor Mounting 343481 685441
3	59174	40111201		Belt, Cylinder
4	500011			Pulley, Motor
5	58044A		Not Available	MOUNT,MOTOR-LOCKING
6	20530			Screw, 10-24 x 3/8 Hex
7	Y00000000		Not Available	SEE NOTE GROUND WIRE FROM MOTOR TO MOUNTING BRACKET, GREEN
8	Y31645	27001200		Screw
9	33562	27001200		Screw
10	56076			Spring, Idler
11	56156	358160		Nut
12	500910	37001144		Assembly- Idler
13	56461			Shaft

14	52549		Washer, 501 ID X3/4 Odx
15	Y54414		Assembly, Wheel And Bearing
16	23748		Ring, Retaining
17	500824		Screw, 1/4-20 Unc Hex
18	500269	37001287	Assembly, Idler Lever/Shaft/Pulley
19	Y00000000	Not Available	SEE NOTE GROUND WIRE FROM MOTOR TO MOUNTING BRACKET, GREEN
20	52566	27001225	Nut, Jam Mid Lock 1/4-20
21	500822	503613	Mount, Motor
22	Y00000000	Not Available	SEE NOTE BASE
24	Y61372		Thermostat
25	501086	90767	Screw, 8A X 3/8 HeX Washer Head Tapping
26	61401	61623	Thermostat, Heater-BR
27	500313		Seal, Blower Housing
28	31260		Screw, No.8 X 3/8 Ind H
29	500078	511969P	Kit Blower Housing And Cover
30	56000	510139P	Assembly Blower Fan Package
31	56020		Housing, Blower
32	501218	Not Available	MOTOR SWITCH (DOES NOT INCLUDE THERMAL PROT

