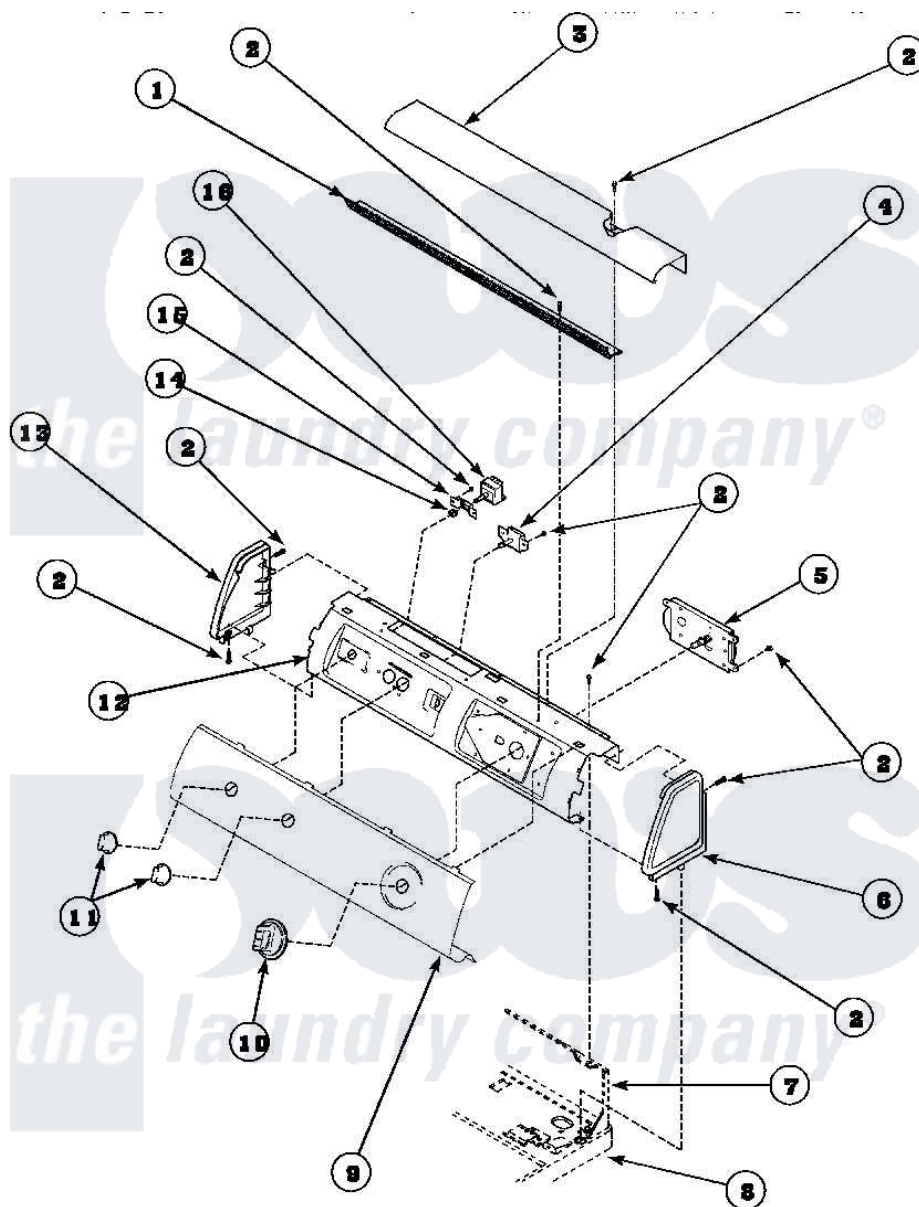


# Amana LE8367L2 (BOM: PLE8367L2) 06 - GRAPHIC PANEL, CONTROL HOOD AND CONTROLS



Amana [Residential Amana LE8367L2 \(BOM: PLE8367L2\) Washer Parts](#) Parts Diagram 06 - GRAPHIC PANEL, CONTROL HOOD AND CONTROLS  
 Click on the part number to view part

Item	Original Part Number	Replaced By	Status	Part Description
1	500305		Not Available	DIFFUSER W/OUT HOLE
2	501086	<a href="#">90767</a>		Screw, 8A X 3/8 HeX Washer Head Tapping
3	500303		Not Available	COVER, TOP
4	<a href="#">500823</a>			Signal, Rotary
5	502967	<a href="#">502967P</a>		Timer 5 Cycle Package
6	34817		Not Available	END CAP(RIGHT)
7	500343		Not Available	PANEL,BACK(HOME HOOD)
8	500085P		Not Available	(ADD LETTER L-L, W-W TO PART N
9	Y502216		Not Available	GRAPHIC PANEL
10	502220		Not Available	KNOB, TIMER
11	36701		Not Available	KNOB, TEMP
12	500300		Not Available	BRACKET,CONTROL SUPPORT-MECH
13	34818		Not Available	END CAP(LEFT)

14	57584	Not Available	NUT
15	<a href="#">59704</a>		Bracket, Switch Mount
16	Y61511	Not Available	SWITCH,FABRIC SELECTOR

