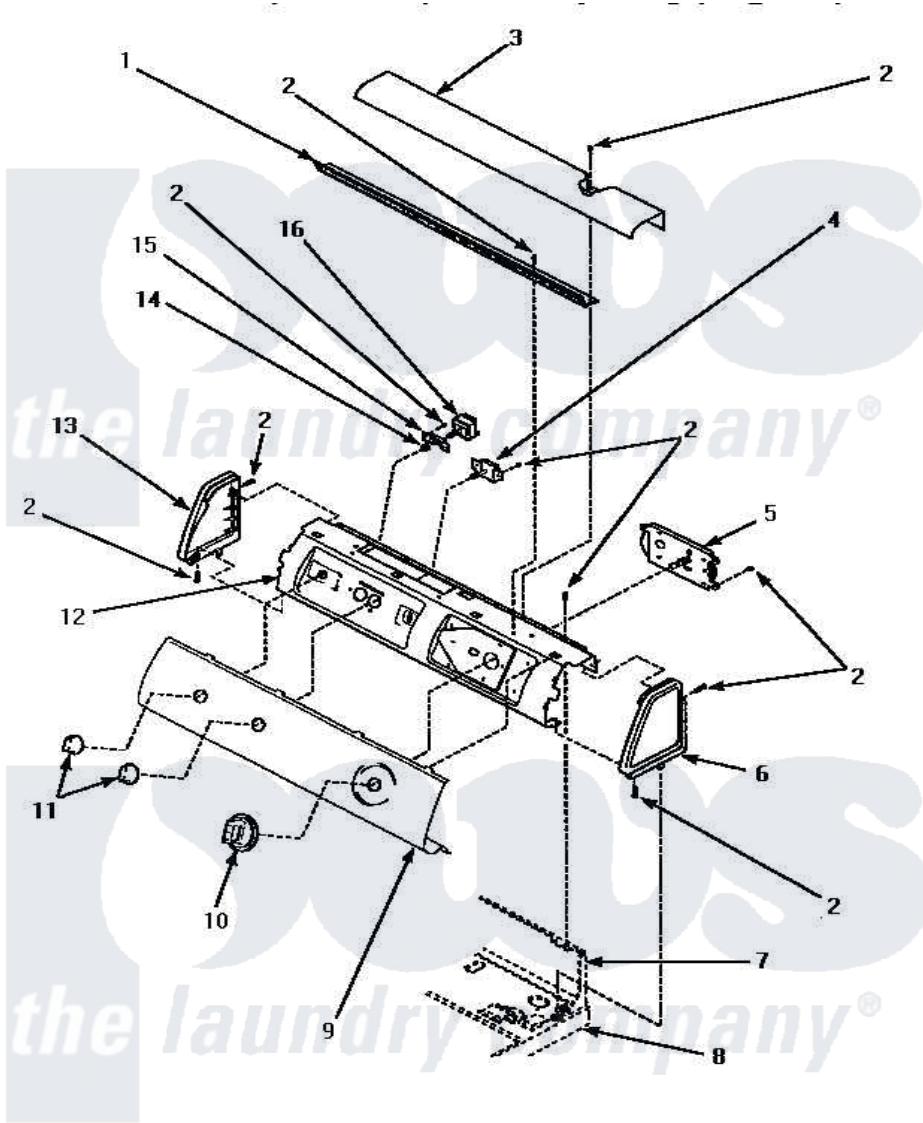


Amana LE8407W (BOM: P1163620W W) 05 - GRAPHIC PANEL, CONTROL HOOD & CONTROLS



GRAPHIC PANEL, CONTROL HOOD AND CONTROLS

Amana [Residential Amana LE8407W \(BOM: P1163620W W\) Dryer Parts](#) Parts Diagram 05 - GRAPHIC PANEL, CONTROL HOOD & CONTROLS
 Click on the part number to view part

Item	Original Part Number	Replaced By	Status	Part Description
"	NOTE:		Not Available	FRONT BULKHEAD INCLUDES CYLINDER SEAL, GLIDE BRACKETS, SCREWS, CYLINDER GLIDES AND FELT PADS.
1	500305		Not Available	DIFFUSER W/OUT HOLE
2	501086	90767		Screw, 8A X 3/8 HeX Washer Head Tapping
3	500303W			Cover, Top
4	500823			Signal, Rotary
5	59421	502967P		Timer 5 Cycle Package
6	34817W		Not Available	PANEL,END-RH
7	Y00000000		Not Available	SEE NOTE CONTROL HOOD REAR PANEL
8	Y00000000		Not Available	SEE NOTE CABINET TOP
9	501564W		Not Available	PANEL, GRAPHICS
10	500775W	502220W		Knob, Timer

11	35330W	36701W	Knob
"	34847		Assembly, Knob-Rotary
12	500300		Not Available
			BRACKET,CONTROL SUPPORT-MECH
13	34818W		Not Available
			PANEL,END-LH
14	57584		Not Available
			NUT
15	59704		Bracket, Switch Mount
16	Y61511		Not Available
			SWITCH,FABRIC SELECTOR

