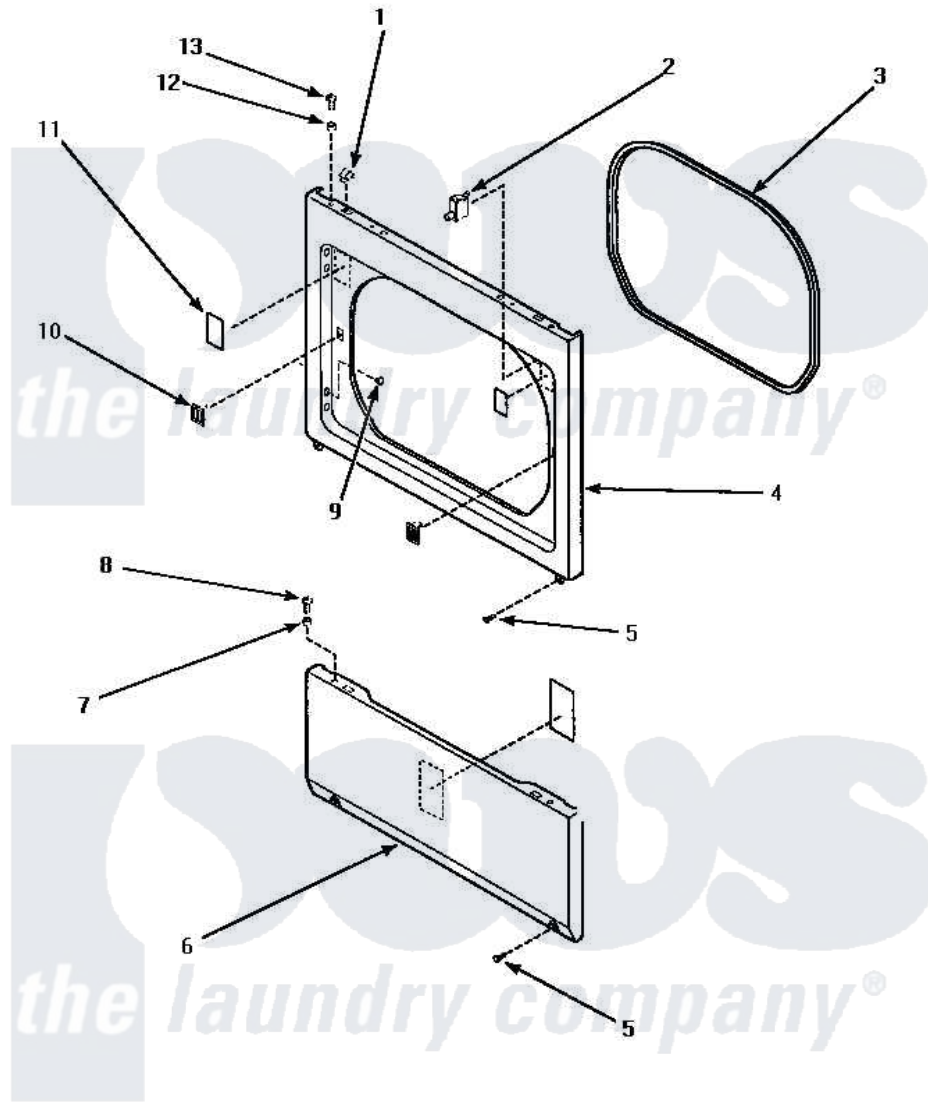


Amana LE8407W (BOM: P1163620W W) 09 - LOWER ACCESS PANEL, FRONT PANEL & SEAL



LOWER ACCESS PANEL, FRONT PANEL AND SEAL

Amana [Residential Amana LE8407W \(BOM: P1163620W W\) Dryer Parts](#) Parts Diagram 09 - LOWER ACCESS PANEL, FRONT PANEL & SEAL
 Click on the part number to view part

| Item | Original Part Number | Replaced By | Status | Part Description |
|------|-------------------------|----------------------------|---------------|-----------------------------|
| 1 | 28835 | 22001650 | | Fastener, Spring |
| 2 | Y62872 | W10169313 | | Switch-Dor |
| 3 | 500034 | | | Seal, Front Panel |
| 4 | 500033W | | Not Available | PANEL, FRONT |
| " | 500033H | | Not Available | PANEL,FRONT |
| " | 500033L | | | Panel, Front |
| 5 | 33562 | 27001200 | | Screw |
| 6 | 500044H | | Not Available | PANEL,ACCESS |
| " | 500044L | | Not Available | PANEL, ACCESS (ALMOND) |
| " | 500044W | 40045301WP | | Panel, Access |
| 7 | 56079 | 505187 | | Locator, Panel |
| 8 | 32671 | Y014874 | | Screw, Idler Arm And Sleeve |
| 9 | 500227 | 505295 | | Screw, No.8ab-16 x 3/4 PH |
| 10 | 54660 | LA-1003 | | Door Catch Kit |
| 11 | 500281 | | Not Available | STICKER |

