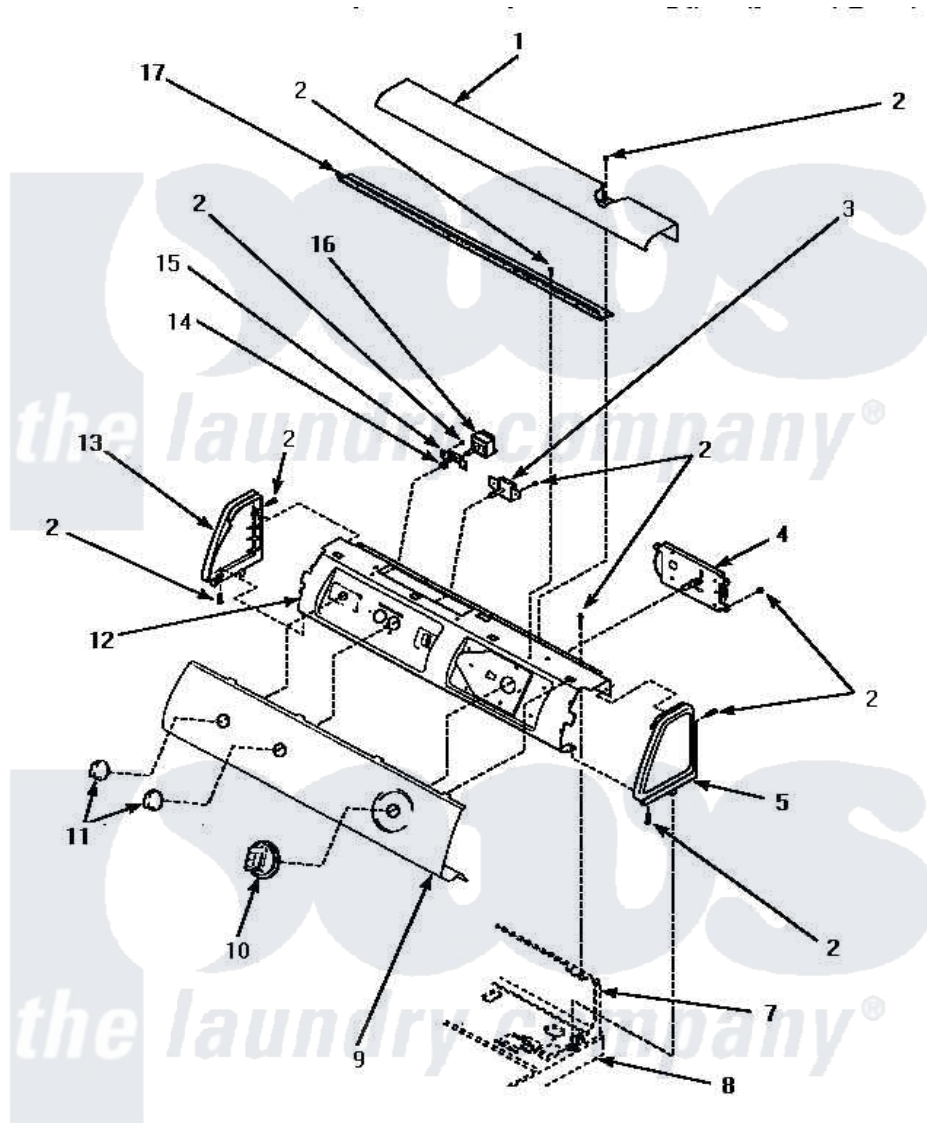


Amana LE8457W (BOM: PLE8457W) 05 - GRAPHIC PANEL, CONTROL HOOD & CONTROLS



GRAPHIC PANEL, CONTROL HOOD AND CONTROLS

Amana [Residential Amana LE8457W \(BOM: PLE8457W\) Dryer Parts](#) Parts Diagram 05 - GRAPHIC PANEL, CONTROL HOOD & CONTROLS

[Click on the part number to view part](#)

Item	Original Part Number	Replaced By	Status	Part Description
"	NOTE:		Not Available	IF DRYER IS INSTALLED IN A MANUFACTURED (MOBILE) HOME, OR IF LOCAL CODES DO NOT PERMIT GROUNDING THROUGH THE NEUTRAL, THIS WIRE WILL NOT BE CONNECTED TO THE DR
1	500303W			Cover, Top
2	501086	90767		Screw, 8A X 3/8 HeX Washer Head Tapping
3	500823			Signal, Rotary
4	59421	502967P		Timer 5 Cycle Package
5	34817W		Not Available	PANEL,END-RH
7	Y00000000		Not Available	SEE NOTE CONTROL HOOD REAR PANEL
8	Y00000000		Not Available	SEE NOTE CABINET TOP
9	501980W		Not Available	PANEL, GRAPHICS

10	500775W	502220W	Knob, Timer
11	35330W	36701W	Knob
12	500300		Not Available
			BRACKET,CONTROL SUPPORT-MECH
13	34818W		Not Available
			PANEL,END-LH
14	57584		Not Available
			NUT
15	59704		Bracket, Switch Mount
16	Y61511		Not Available
			SWITCH,FABRIC SELECTOR
17	500305		Not Available
			DIFFUSER W/OUT HOLE

