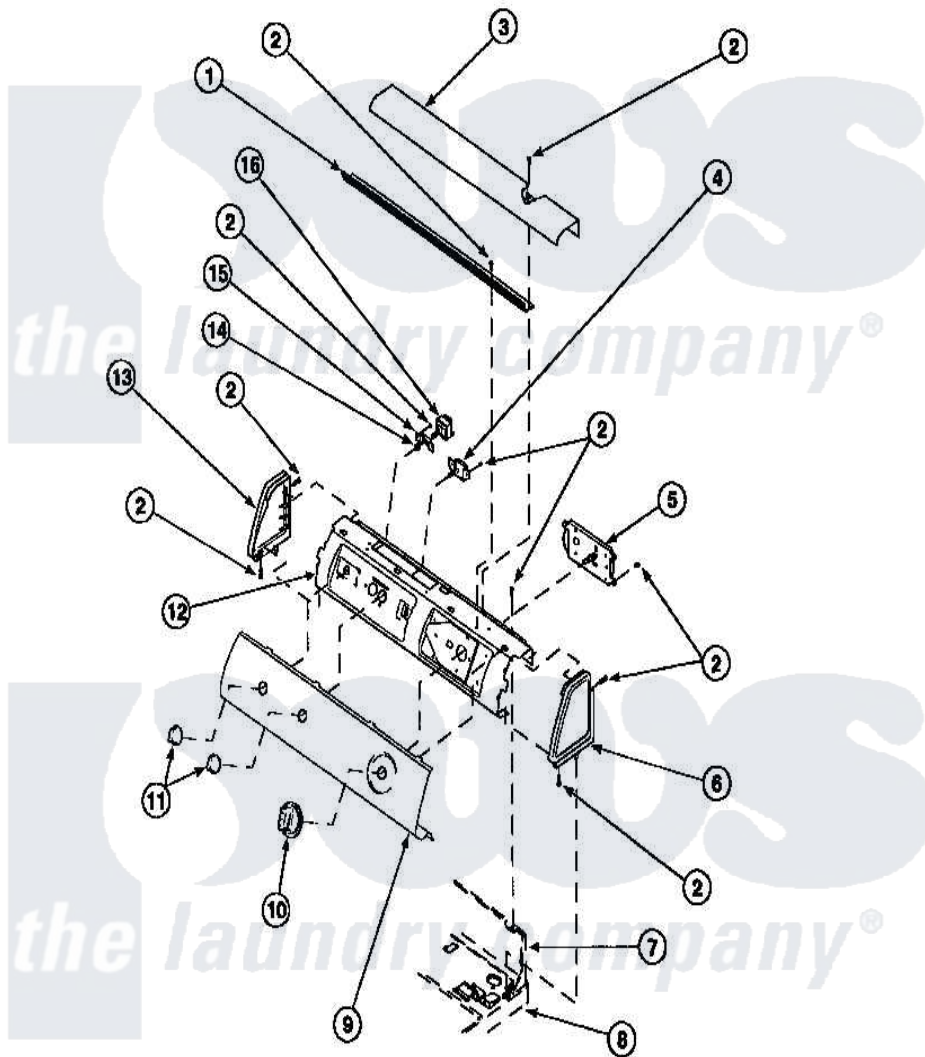


# Amana LE8457W2 (BOM: PLE8457W2) 05 - GRAPHIC PANEL, CONTROL HOOD AND CONTROLS



Amana Residential Amana LE8457W2 (BOM: PLE8457W2) Dryer Parts Parts Diagram 05 - GRAPHIC PANEL, CONTROL HOOD AND CONTROLS  
 Click on the part number to view part

| Item | Original Part Number   | Replaced By             | Status        | Part Description                        |
|------|------------------------|-------------------------|---------------|---|
| 1    | 500305                 |                         | Not Available | DIFFUSER W/OUT HOLE                     |
| 2    | 501086                 | <a href="#">90767</a>   |               | Screw, 8A X 3/8 HeX Washer Head Tapping |
| 3    | 500303                 |                         | Not Available | COVER, TOP                              |
| 4    | <a href="#">500823</a> |                         |               | Signal, Rotary                          |
| 5    | 502967                 | <a href="#">502967P</a> |               | Timer 5 Cycle Package                   |
| 6    | 34817                  |                         | Not Available | END CAP(RIGHT)                          |
| 7    | 500343                 |                         | Not Available | PANEL,BACK(HOME HOOD)                   |
| 8    | 500085P                |                         | Not Available | (ADD LETTER L-L, W-W TO PART N          |
| 9    | 502630                 |                         | Not Available | GRAPHIC PANEL                           |
| "    | 502206                 |                         | Not Available | GRAPHIC PANEL                           |
| 10   | 502220                 |                         | Not Available | KNOB, TIMER                             |
| 11   | 36701                  |                         | Not Available | KNOB, TEMP                              |
| 12   | 500300                 |                         | Not Available | BRACKET,CONTROL SUPPORT-MECH            |

