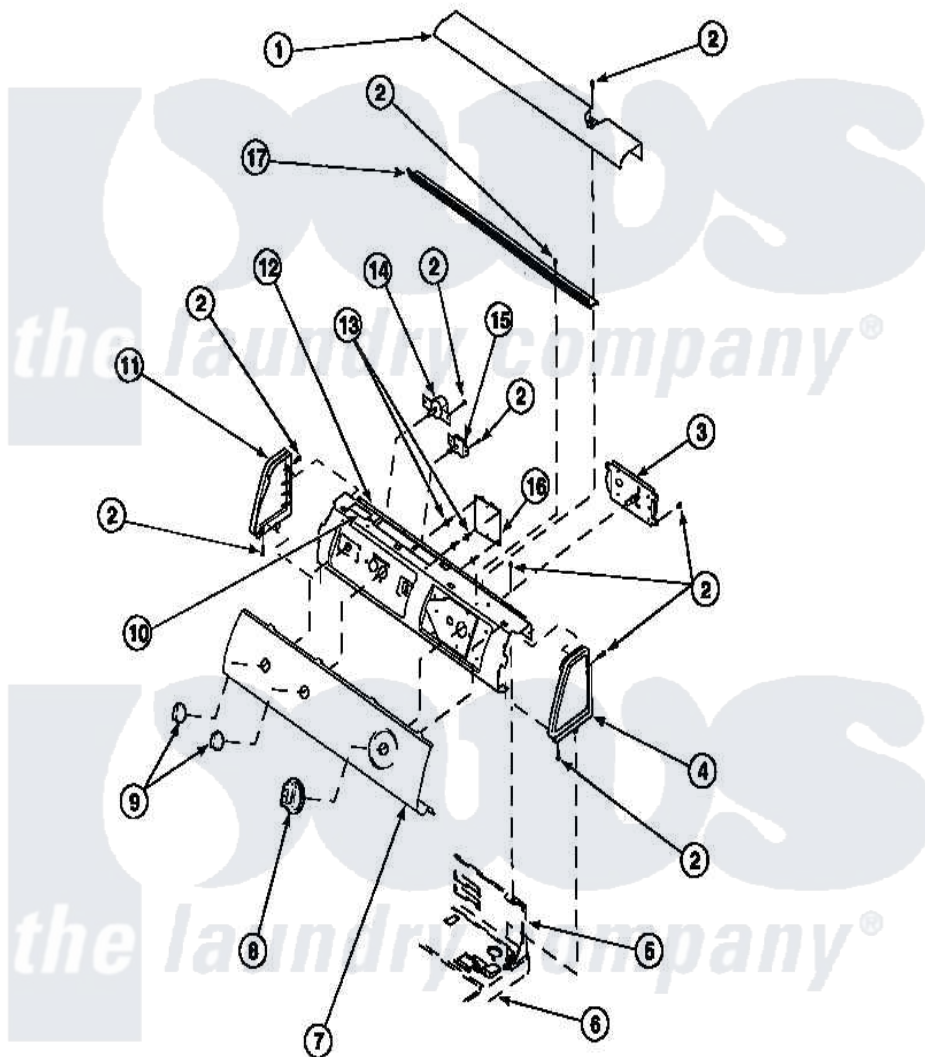


# Amana LE8457W2 (BOM: PLE8457W2) 07 - GRAPHIC PANEL, CONTROL HOOD AND CONTROLS



Amana Residential Amana LE8457W2 (BOM: PLE8457W2) Dryer Parts Parts Diagram 07 - GRAPHIC PANEL, CONTROL HOOD AND CONTROLS  
 Click on the part number to view part

| Item | Original Part Number | Replaced By             | Status        | Part Description                        |
|------|----------------------|-------------------------|---------------|---|
| 1    | 500303               |                         | Not Available | COVER, TOP                              |
| 2    | 501086               | <a href="#">90767</a>   |               | Screw, 8A X 3/8 HeX Washer Head Tapping |
| 3    | 502967               | <a href="#">502967P</a> |               | Timer 5 Cycle Package                   |
| "    | 501881               |                         | Not Available | TIMER                                   |
| 4    | 34817                |                         | Not Available | END CAP(RIGHT)                          |
| 5    | 500343               |                         | Not Available | PANEL,BACK(HOME HOOD)                   |
| 6    | 500085P              |                         | Not Available | (ADD LETTER L-L, W-W TO PART N          |
| 8    | 502220               |                         | Not Available | KNOB, TIMER                             |
| 9    | 36701                |                         | Not Available | KNOB, TEMP                              |
| 10   | 24903                |                         | Not Available | STICKER,DISCONNECT POW                  |
| 11   | 34818                |                         | Not Available | END CAP(LEFT)                           |
| 12   | 500300               |                         | Not Available | BRACKET,CONTROL SUPPORT-MECH            |

14

[62173](#)

Switch, Temperature Select

15

[500823](#)

Signal, Rotary

17

500305

Not Available

DIFFUSER W/OUT HOLE

