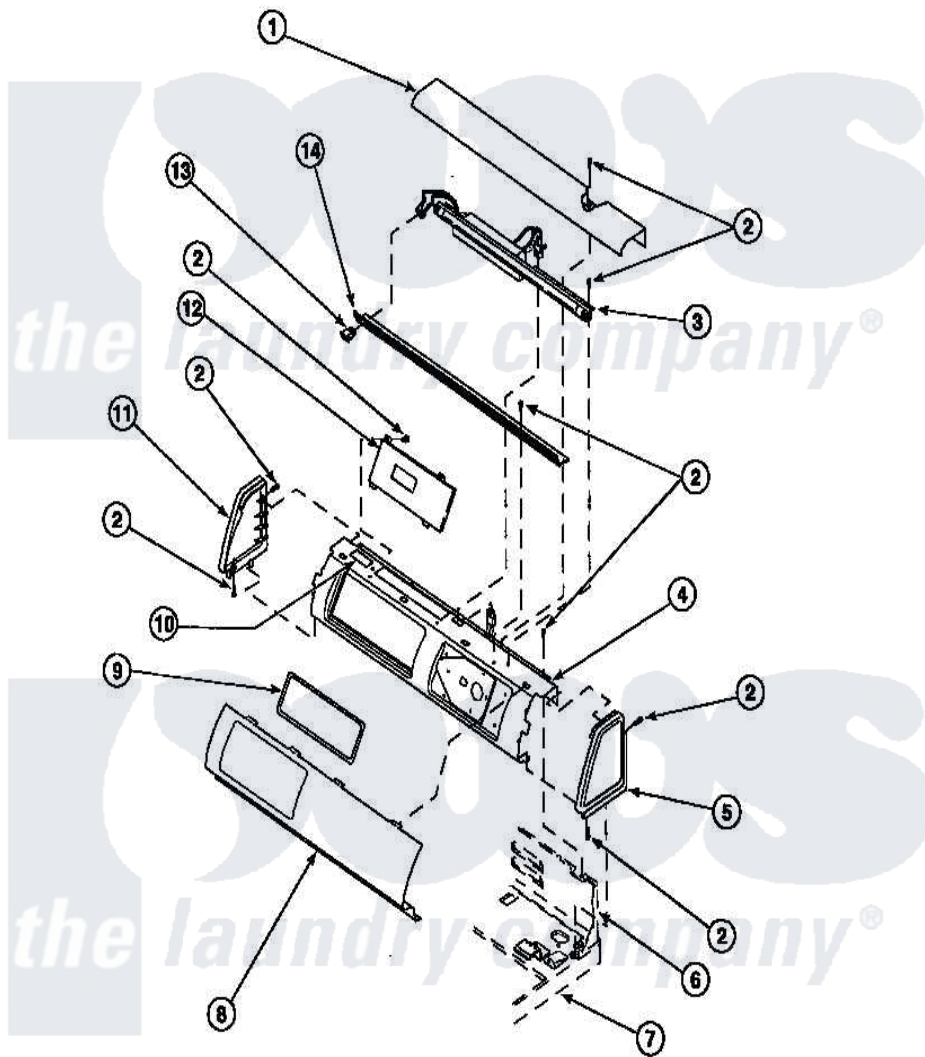


# Amana LE8457W2 (BOM: PLE8457W2) 09 - GRAPHIC PANEL, CONTROL HOOD AND CONTROLS



Amana Residential Amana LE8457W2 (BOM: PLE8457W2) Dryer Parts Parts Diagram 09 - GRAPHIC PANEL, CONTROL HOOD AND CONTROLS  
 Click on the part number to view part

Item	Original Part Number	Replaced By	Status	Part Description
1	500303		Not Available	COVER, TOP
2	501086	<a href="#">90767</a>		Screw, 8A X 3/8 HeX Washer Head Tapping
5	34817		Not Available	END CAP(RIGHT)
6	500343		Not Available	PANEL,BACK(HOME HOOD)
7	500085P		Not Available	(ADD LETTER L-L, W-W TO PART N
10	24903		Not Available	STICKER,DISCONNECT POW
11	34818		Not Available	END CAP(LEFT)