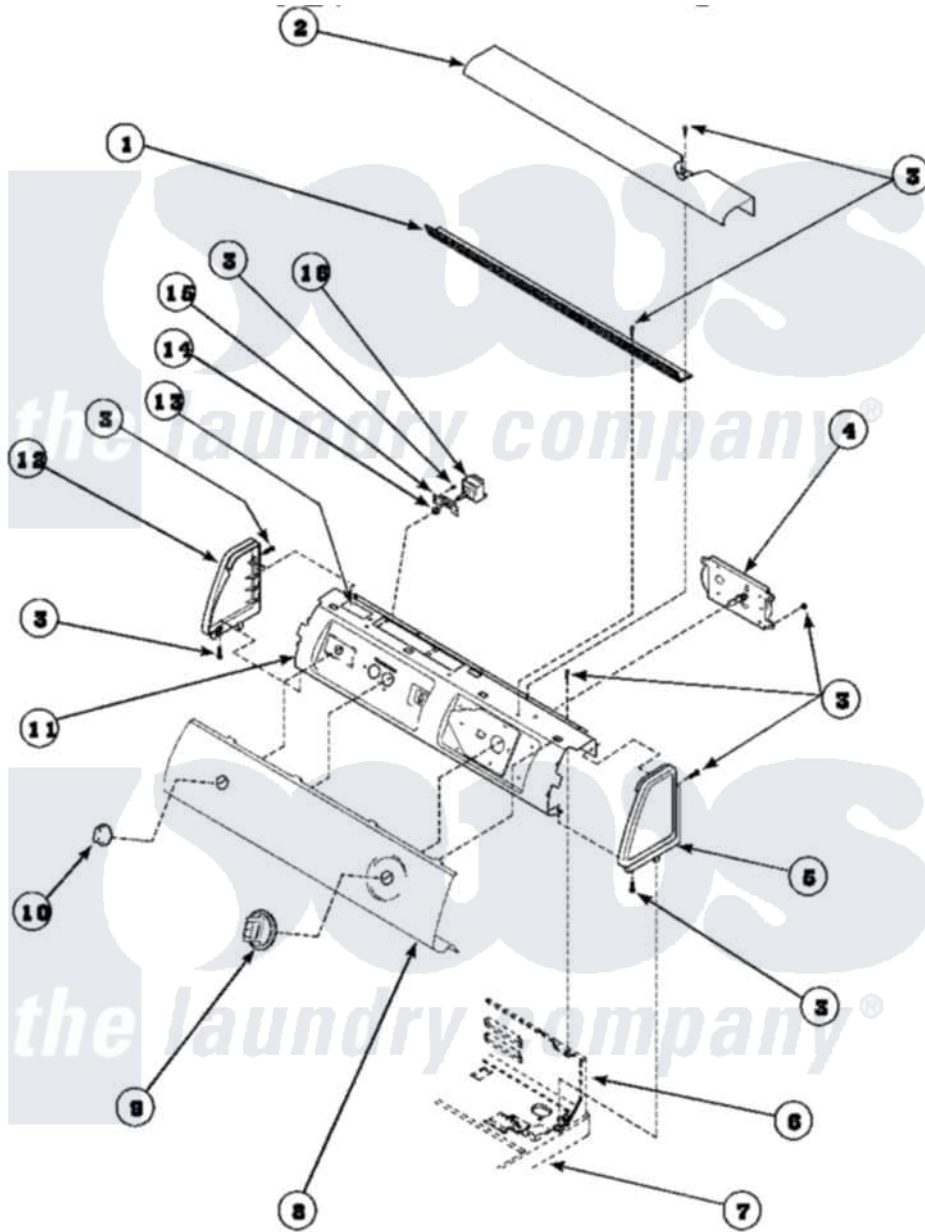


**Amana LE8467W2 (BOM: PLE8467W2) 07 - GRAPHIC PANEL, CONTROL HOOD AND CONTROLS**



Amana Residential Amana LE8467W2 (BOM: PLE8467W2) Dryer Parts Parts Diagram 07 - GRAPHIC PANEL, CONTROL HOOD AND CONTROLS  
 Click on the part number to view part

Item	Original Part Number	Replaced By	Status	Part Description
1	500305		Not Available	DIFFUSER W/OUT HOLE
2	500303		Not Available	COVER, TOP
3	501086	<a href="#">90767</a>		Screw, 8A X 3/8 HeX Washer Head Tapping
4	501881		Not Available	TIMER
5	34817		Not Available	END CAP(RIGHT)
6	500343		Not Available	PANEL,BACK(HOME HOOD)
7	500085P		Not Available	(ADD LETTER L-L, W-W TO PART N
8	Y503254		Not Available	GRAPHIC PANEL
9	502220		Not Available	KNOB, TIMER
10	36701		Not Available	KNOB, TEMP
11	500300		Not Available	BRACKET,CONTROL SUPPORT-MECH
12	34818		Not Available	END CAP(LEFT)
13	24903		Not Available	STICKER,DISCONNECT

13	24903	Not Available	POW
14	57584	Not Available	NUT
15	<a href="#">59704</a>		Bracket, Switch Mount
16	Y61511	Not Available	SWITCH,FABRIC SELECTOR

