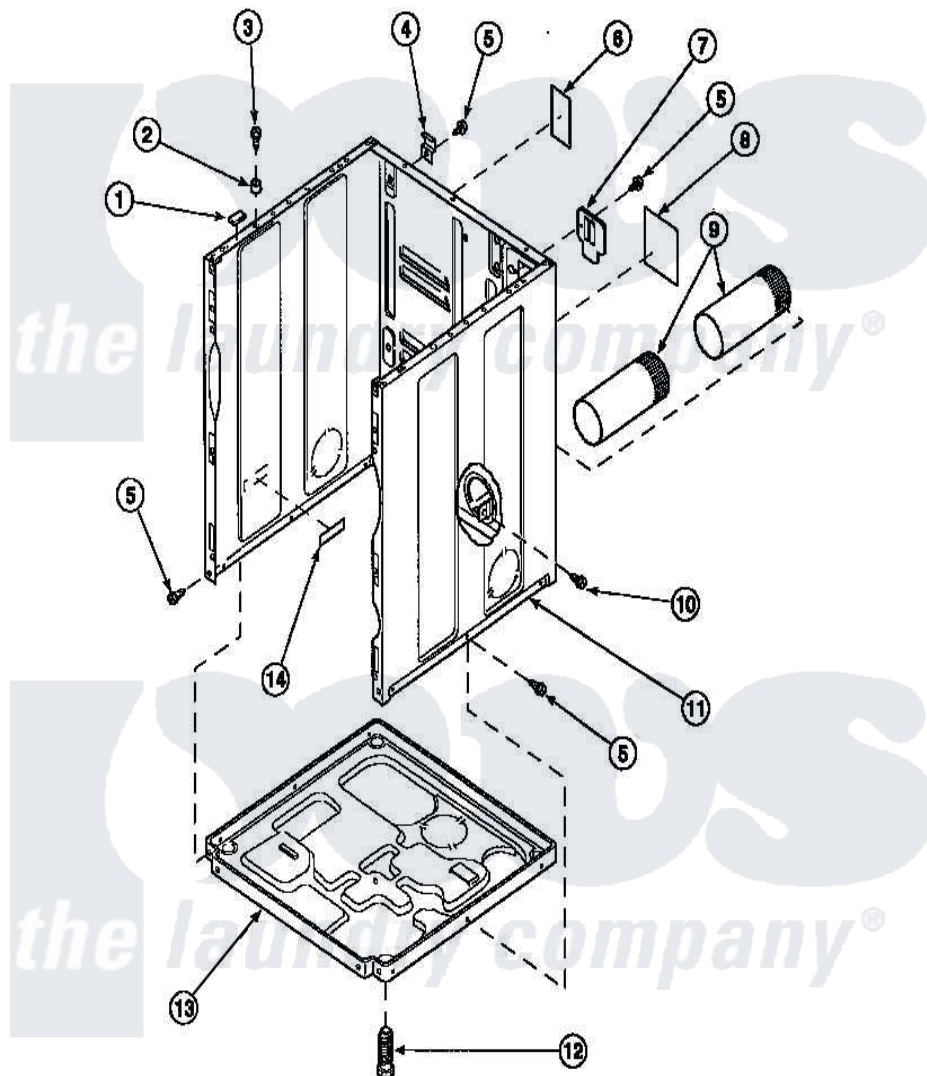


# Amana LE8517W2 (BOM: PLE8517W2) 02 - CABINET, EXHAUST DUCT AND BASE



Amana Residential Amana LE8517W2 (BOM: PLE8517W2) Dryer Parts Parts Diagram 02 - CABINET, EXHAUST DUCT AND BASE

Click on the part number to view part

Item	Original Part Number	Replaced By	Status	Part Description
1	<a href="#">Y56128</a>			Pad, Bumper
2	56079	<a href="#">505187</a>		Locator, Panel
3	32671	<a href="#">Y014874</a>		Screw, Idler Arm And Sleeve
4	<a href="#">500003</a>			Hinge, Top
5	33562	<a href="#">27001200</a>		Screw
8	501289		Not Available	(ELECTRIC MODELS)
9	500064	<a href="#">505518</a>		Duct, Exhaust
10	501668	<a href="#">503688</a>		Screw, 10B-16 X .34 I
11	500001P		Not Available	(ADD LETTER BEFORE "P" IN PART
12	<a href="#">Y500101</a>			Leg, Leveling
13	<a href="#">500070</a>			Base, Dryer
14	61294		Not Available	(ELECTRIC MODELS)
NI	<a href="#">521P3</a>			Kit, Flex Vent-Display
"	<a href="#">528P3</a>			Directional Exhaust Kit