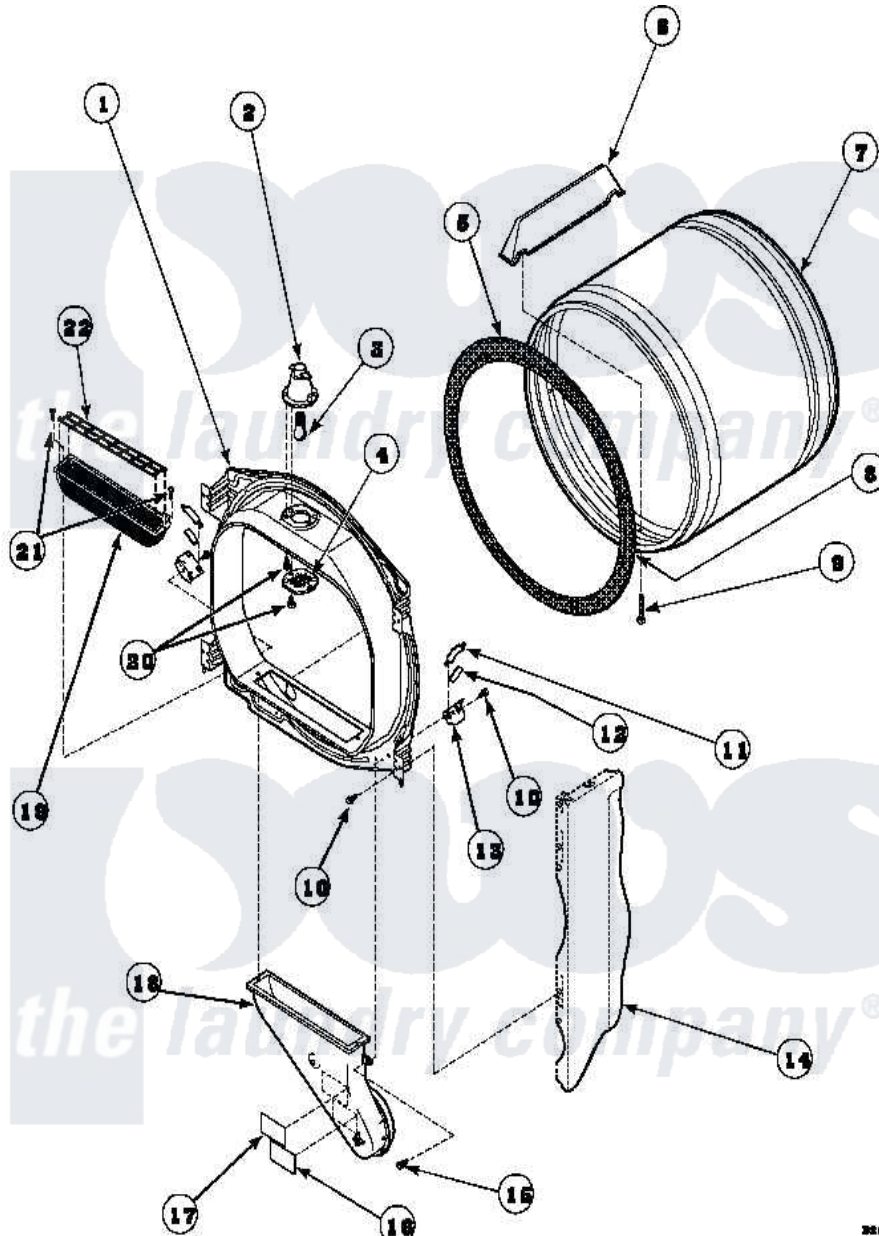


Amana LE8517W2B (BOM: PLE8517W2 B) 03 - FR BLKHD, AIR DUCT, FELT SEAL & CYLINDER



Amana Residential Amana LE8517W2B (BOM: PLE8517W2 B) Dryer Parts Parts Diagram 03 - FR BLKHD, AIR DUCT, FELT SEAL & CYLINDER

Click on the part number to view part

Item	Original Part Number	Replaced By	Status	Part Description
1	501570WP		Not Available	ASSY BULKHEAD
2	500153		Not Available	CYLINDER LIGHT HOUSING
3	503579		Not Available	LIGHT BULB
4	500094		Not Available	LENS,DRUM LIGHT
5	501801	37001132		Seal, Cylinder
6	500022	510102		Baffle- SH
7	500735P		Not Available	ASSY,CYLINDER-HOME
"	500013WP		Not Available	ASSY,CYLINDER-HOME-
8	22506P	511637P		Adh Dow 737 Clr 3 Oz Tube
9	Y62588			Screw, 10BT-12 X 1 Tap
10	502120	489069		Xxscrew, 10-12 X 1/2
11	501553	37001298		Glide- Dry
12	500121	510189		Pad Felt
13	501554	12002090		Bracket
14	500001P		Not Available	(ADD LETTER BEFORE "P")

14	300001F	Not Available	IN PART
15	Y31645	27001200	Screw
16	56259	Not Available	STICKER
17	500049	Not Available	STICKER
18	502231	Not Available	DUCT, HEAT
19	502140P		Filter, Lint Kit
20	500248	M0211530	Screw-SM No.8-18 X 3/8"
21	500226		Screw, 8b-16 x 5/8 Tap
22	502092		Cover, Lint Filter

