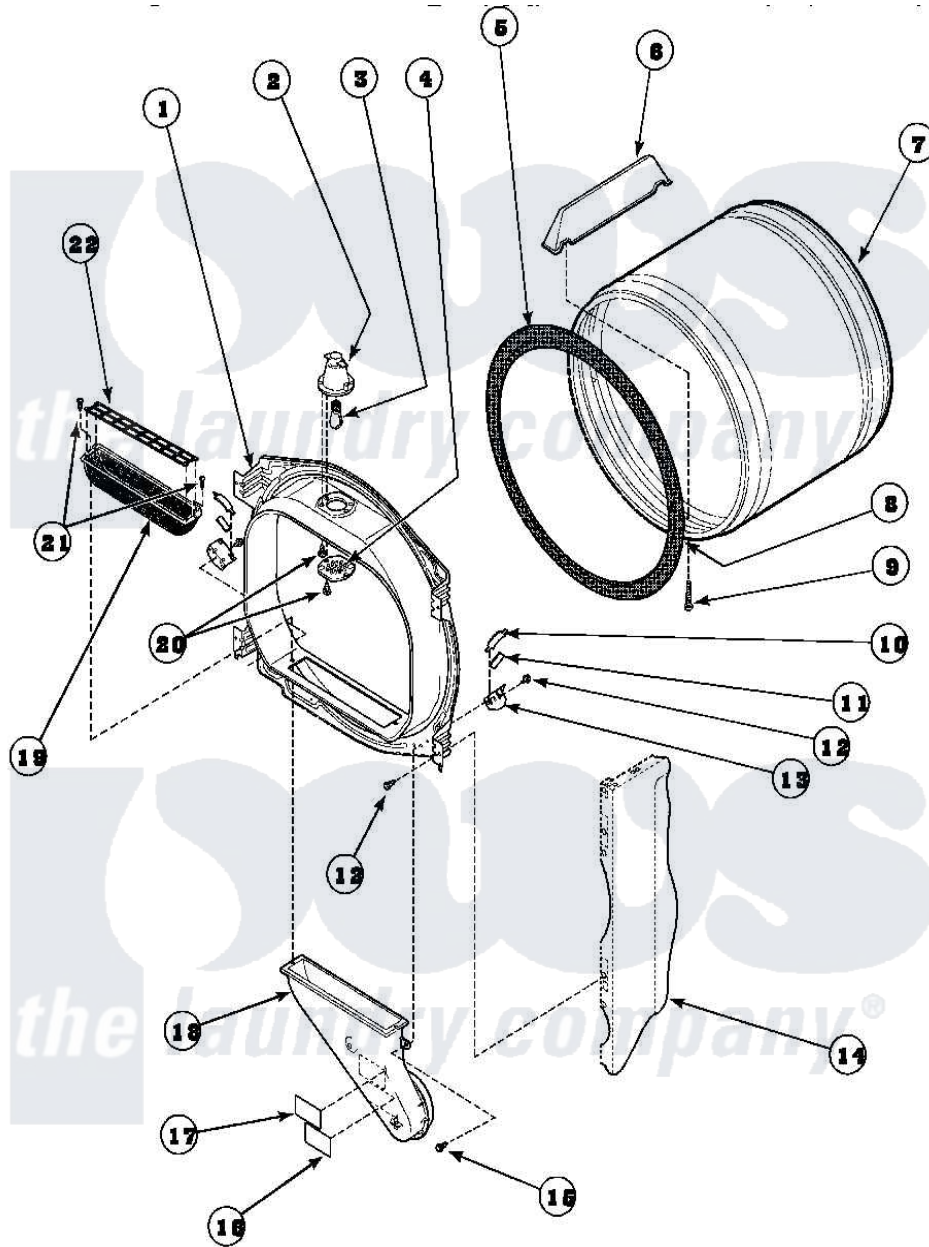


Amana LE8567L2 (BOM: PLE8567L2) 03 - FR BLKHD, AIR DUCT, FELT SEAL & CYLINDER



Amana Residential Amana LE8567L2 (BOM: PLE8567L2) Dryer Parts Parts Diagram 03 - FR BLKHD, AIR DUCT, FELT SEAL & CYLINDER

Click on the part number to view part

Item	Original Part Number	Replaced By	Status	Part Description
1	501570WP		Not Available	ASSY BULKHEAD
"	500016W			Assembly, Bulkhead Front Complete
"	500117W		Not Available	ASSY,BULKHEAD-FRONT-COMP
2	500153		Not Available	CYLINDER LIGHT HOUSING
3	501801	37001132		Seal, Cylinder
4	Y60954	67001316		Bulb, Light
5	500094		Not Available	LENS,DRUM LIGHT
6	500022	510102		Baffle- SH
7	500735P		Not Available	ASSY,CYLINDER-HOME
"	500013WP		Not Available	ASSY,CYLINDER-HOME-
8	22506P	511637P		Adh Dow 737 Clr 3 Oz Tube
9	Y62588			Screw, 10BT-12 X 1 Tap
10	Y501676	37001298		Glide- Dry

"	501553	37001298	Slide- Dry
11	500121	510189	Pad Felt
12	501668	503688	Screw, 10B-16 X .34 I
13	501554	12002090	Bracket
14	500001P	Not Available	(ADD LETTER BEFORE "P" IN PART
15	Y31645	27001200	Screw
16	56259	Not Available	STICKER
17	500049	Not Available	STICKER
18	502231	Not Available	DUCT, HEAT
19	502140P		Filter, Lint Kit
20	500227	505295	Screw, No.8ab-16 x 3/4 PH
21	500226		Screw, 8b-16 x 5/8 Tap
22	502092		Cover, Lint Filter

the laundry company[®]

Howes
the laundry company[®]

Howes
the laundry company[®]