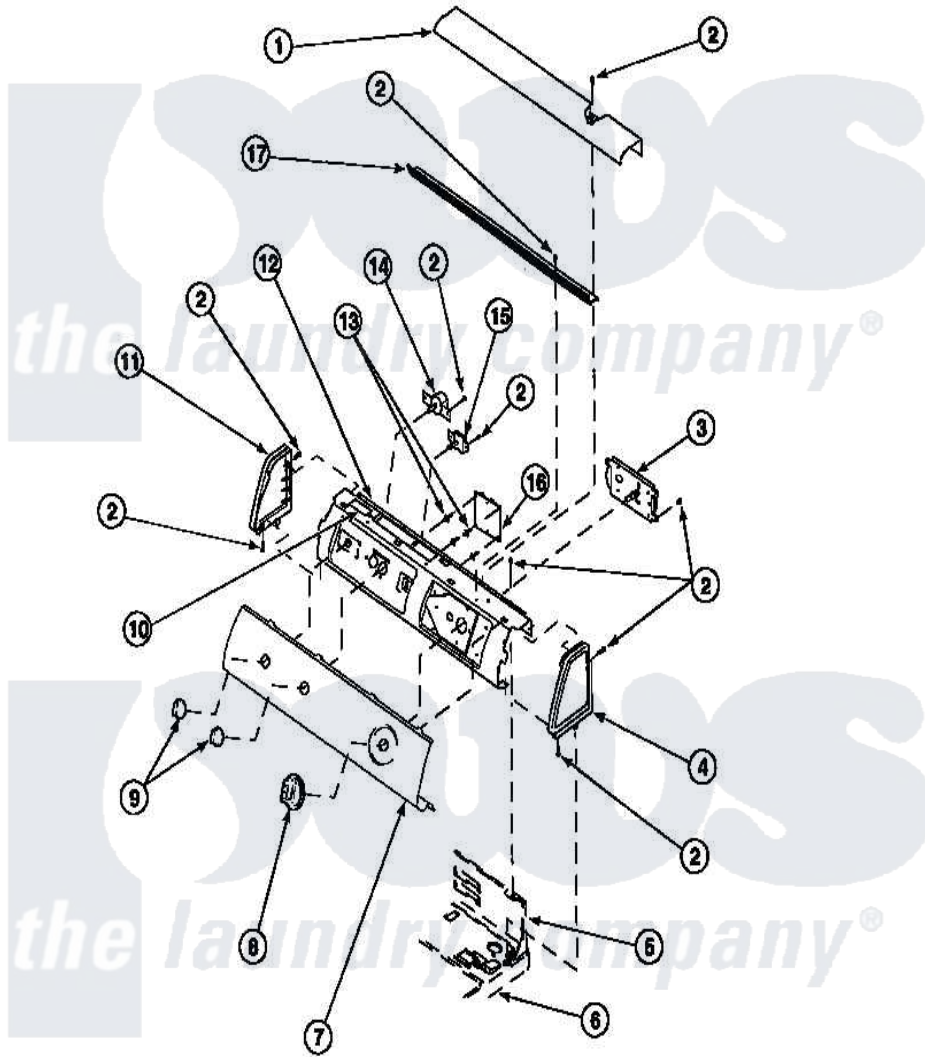


Amana LE8607L2 (BOM: PLE8607L2) 07 - GRAPHIC PANEL, CONTROL HOOD AND CONTROLS



Amana Residential Amana LE8607L2 (BOM: PLE8607L2) Dryer Parts Parts Diagram 07 - GRAPHIC PANEL, CONTROL HOOD AND CONTROLS

[Click on the part number to view part](#)

| Item | Original Part Number | Replaced By | Status | Part Description |
|------|----------------------|-------------------------|---------------|---|
| 1 | 500303 | | Not Available | COVER, TOP |
| 2 | 501086 | 90767 | | Screw, 8A X 3/8 HeX Washer Head Tapping |
| 3 | 502968 | 502968P | | Timer 5 Cycle Package |
| " | 501881 | | Not Available | TIMER |
| 4 | 34817 | | Not Available | END CAP(RIGHT) |
| 5 | 500343 | | Not Available | PANEL,BACK(HOME HOOD) |
| 6 | 500085P | | Not Available | (ADD LETTER L-L, W-W TO PART N |
| 7 | Y502205 | | Not Available | GRAPHIC PANEL |
| 8 | 502220 | | Not Available | KNOB, TIMER |
| 9 | 36701 | | Not Available | KNOB, TEMP |
| 10 | 24903 | | Not Available | STICKER,DISCONNECT POW |
| 11 | 34818 | | Not Available | END CAP(LEFT) |
| 12 | 500300 | | Not Available | BRACKET,CONTROL |

| | | | |
|----|------------------------|---------------|----------------------------|
| 12 | 500300 | Not Available | SUPPORT-MECH |
| 13 | 501523 | | Support, Circuit Board |
| 14 | 62173 | | Switch, Temperature Select |
| 15 | 500823 | | Signal, Rotary |
| 16 | 501266 | Not Available | ASSY, ELECT |

