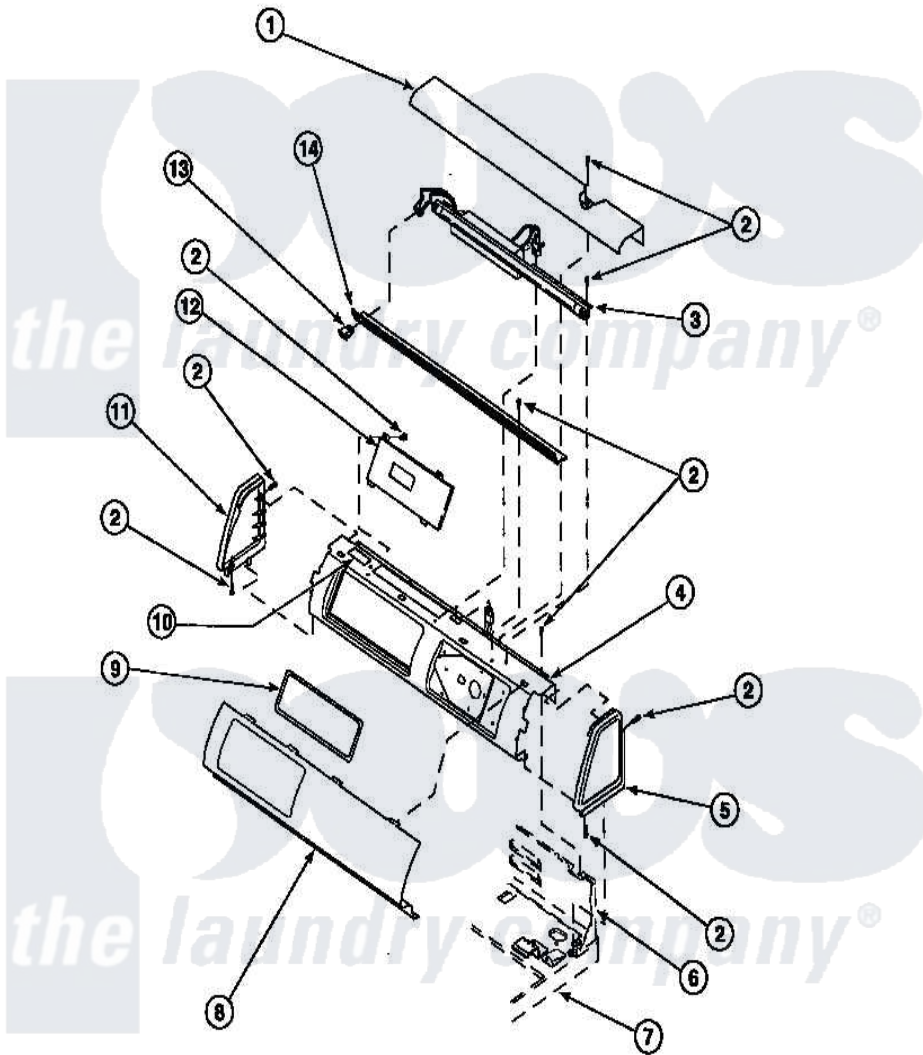


# Amana LE8607L2 (BOM: PLE8607L2) 09 - GRAPHIC PANEL, CONTROL HOOD AND CONTROLS



Amana Residential Amana LE8607L2 (BOM: PLE8607L2) Dryer Parts Parts Diagram 09 - GRAPHIC PANEL, CONTROL HOOD AND CONTROLS

[Click on the part number to view part](#)

Item	Original Part Number	Replaced By	Status	Part Description
1	500303		Not Available	COVER, TOP
2	501086	<a href="#">90767</a>		Screw, 8A X 3/8 HeX Washer Head Tapping
3	<a href="#">34836</a>			Assembly, Fluorescent Light
5	34817		Not Available	END CAP(RIGHT)
6	500343		Not Available	PANEL, BACK(HOME HOOD)
7	500085P		Not Available	(ADD LETTER L-L, W-W TO PART N
10	24903		Not Available	STICKER, DISCONNECT POW
11	34818		Not Available	END CAP(LEFT)
13	35038		Not Available	SWITCH/ WHITE
14	500308		Not Available	DIFFUSER W/HOLE