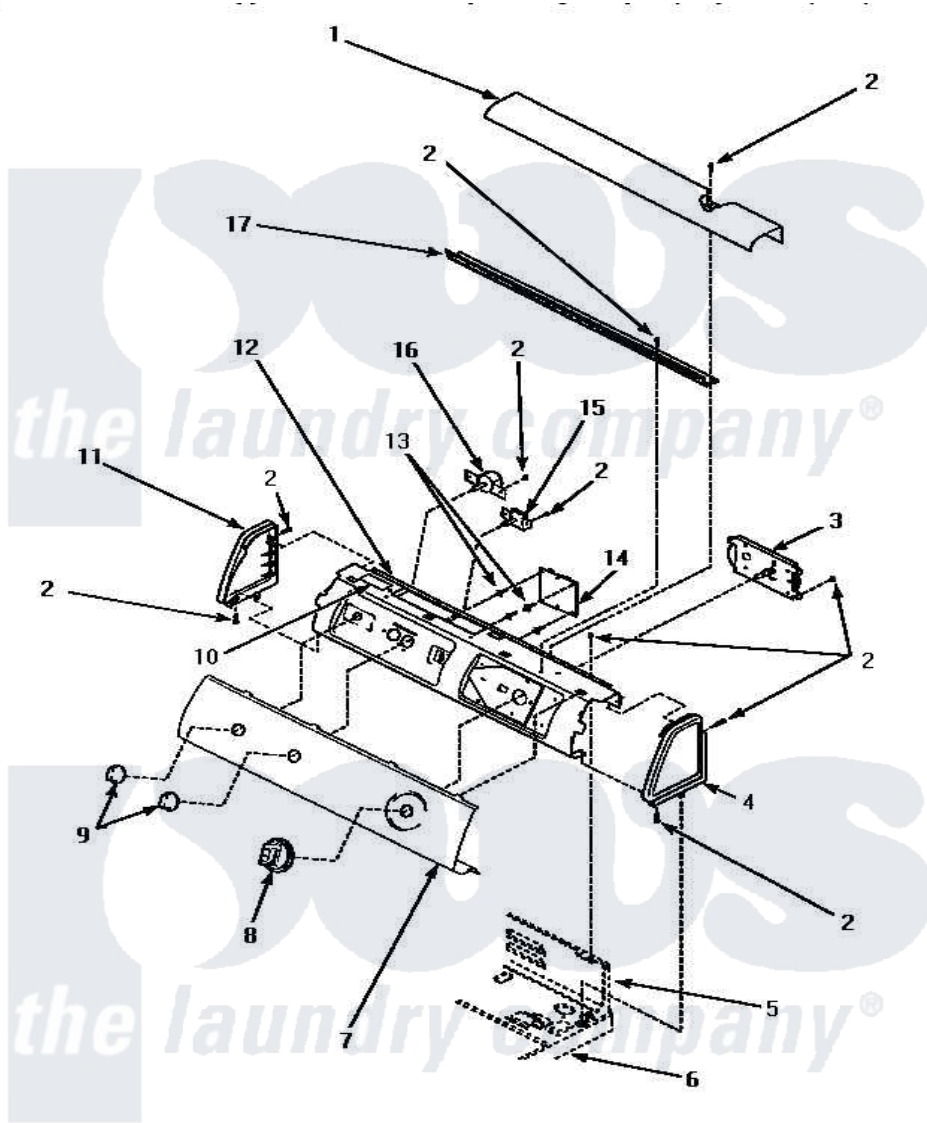


Amana LE8607W (BOM: P1163618W W) 05 - GRAPHIC PANEL, CONTROL HOOD & CONTROLS



GRAPHIC PANEL, CONTROL HOOD AND CONTROLS

Amana [Residential Amana LE8607W \(BOM: P1163618W W\) Dryer Parts](#) Parts Diagram 05 - GRAPHIC PANEL, CONTROL HOOD & CONTROLS
 Click on the part number to view part

Item	Original Part Number	Replaced By	Status	Part Description
"	NOTE:		Not Available	IF DRYER IS INSTALLED IN A MANUFACTURED (MOBILE) HOME, OR IF LOCAL CODES DO NOT PERMIT GROUNDING THROUGH THE NEUTRAL, THIS WIRE WILL NOT BE CONNECTED TO THE DR
1	500303W			Cover, Top
2	501086	90767		Screw, 8A X 3/8 HeX Washer Head Tapping
3	501259	502968P		Timer 5 Cycle Package
4	34817W		Not Available	PANEL,END-RH
5	Y00000000		Not Available	SEE NOTE CONTROL HOOD REAR PANEL
6	Y00000000		Not Available	SEE NOTE CABINET TOP
7	5011287W		Not Available	GRAPHIC PANEL
8	500775W	502220W		Knob, Timer

9	35330W	36701W	Knob	
10	24903		Not Available	STICKER,DISCONNECT POW
11	24818W		Not Available	END CAP, LEFT
12	500300		Not Available	BRACKET,CONTROL SUPPORT-MECH
13	501523			Support, Circuit Board
14	501266		Not Available	ASSY, ELECT
15	500823			Signal, Rotary
16	62173			Switch, Temperature Select
17	500305		Not Available	DIFFUSER W/OUT HOLE

