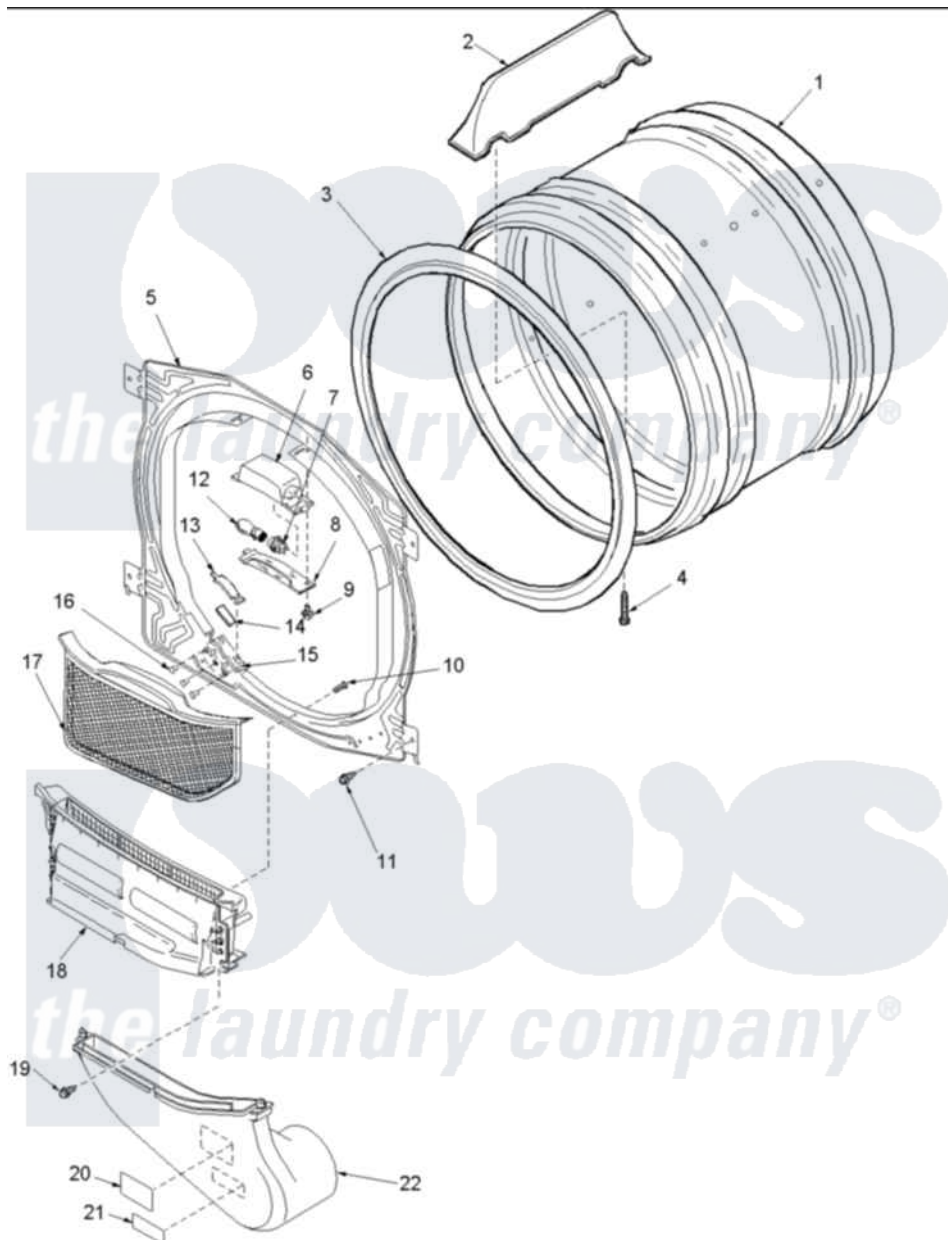


# Amana LEA20AW (BOM: PLEA20AW) 04 - FRONT BULKHEAD, AIR DUCT & CYLINDER



Amana Residential Amana LEA20AW (BOM: PLEA20AW) Dryer Parts Parts Diagram 04 - FRONT BULKHEAD, AIR DUCT & CYLINDER

[Click on the part number to view part](#)

Item	Original Part Number	Replaced By	Status	Part Description
1	504467W	<a href="#">504467WP</a>		Cylinder Assembly
2	503703	<a href="#">12002559</a>		Baffle Kit
3	501801	<a href="#">37001132</a>		Seal, Cylinder
4	<a href="#">Y62588</a>			Screw, 10BT-12 X 1 Tap
5	<a href="#">503756W</a>			Assembly, Blkhd Front CO
13	Y501676	<a href="#">37001298</a>		Glide- Dry
14	500092	<a href="#">510189</a>		Pad Felt
15	<a href="#">37001036</a>			Bracket, Cylinder Glide
16	37001031	<a href="#">3370225</a>		Screw
17	Y503627	<a href="#">37001142</a>		Filter, Lint
18	Y504203	<a href="#">37001141</a>		Air Duct Assembly
19	<a href="#">501285</a>			Screw, No.12 X 9/16-Pla
20	500049		Not Available	STICKER
21	56259		Not Available	STICKER
22	Y503626	<a href="#">37001141</a>		Air Duct Assembly

