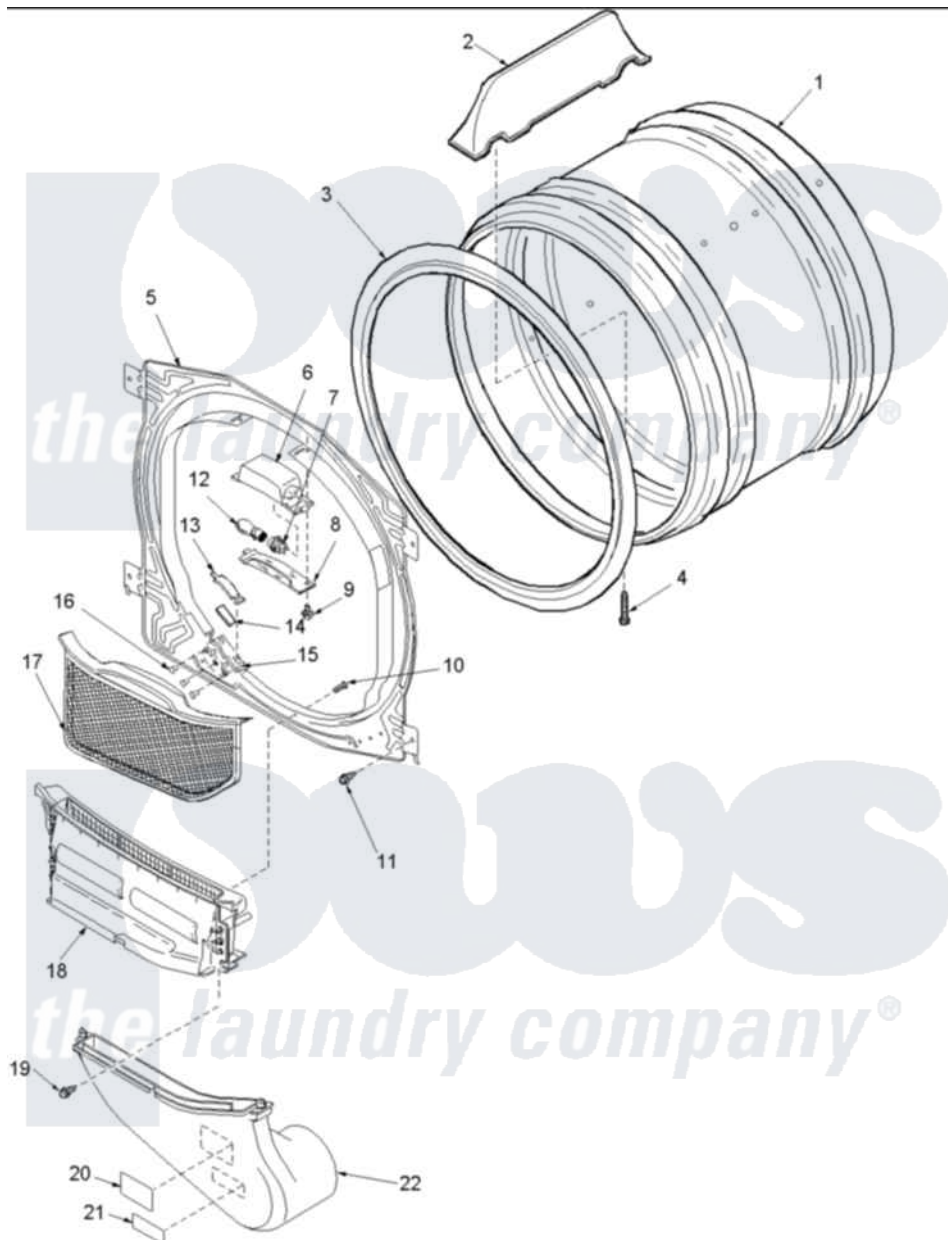


Amana LEA30AW (BOM: PLEA30AW) 04 - FRONT BULKHEAD, AIR DUCT & CYLINDER



Amana Residential Amana LEA30AW (BOM: PLEA30AW) Dryer Parts Parts Diagram 04 - FRONT BULKHEAD, AIR DUCT & CYLINDER

[Click on the part number to view part](#)

Item	Original Part Number	Replaced By	Status	Part Description
1	504467W	504467WP		Cylinder Assembly
2	503703	12002559		Baffle Kit
3	501801	37001132		Seal, Cylinder
4	Y62588			Screw, 10BT-12 X 1 Tap
5	503756W			Assembly, Blkhd Front CO
6	503622	Y504452		Light Assembly
7	504458	Y504452		Light Assembly
8	Y503623	40094301		Lens, Light
9	500227	505295		Screw, No.8ab-16 x 3/4 PH
10	500226			Screw, 8b-16 x 5/8 Tap
11	503661	27001200		Screw
12	Y60954	67001316		Bulb, Light
13	Y501676	37001298		Glide- Dry
14	500092	510189		Pad Felt
15	37001036			Bracket, Cylinder Glide

16	37001031	3370225	Screw
17	Y503627	37001142	Filter, Lint
18	Y504203	37001141	Air Duct Assembly
19	501285		Screw, No.12 X 9/16-Pla
20	500049	Not Available	STICKER
21	56259	Not Available	STICKER
22	Y503626	37001141	Air Duct Assembly
NI	22506	511637P	Adh Dow 737 Clr 3 Oz Tube

