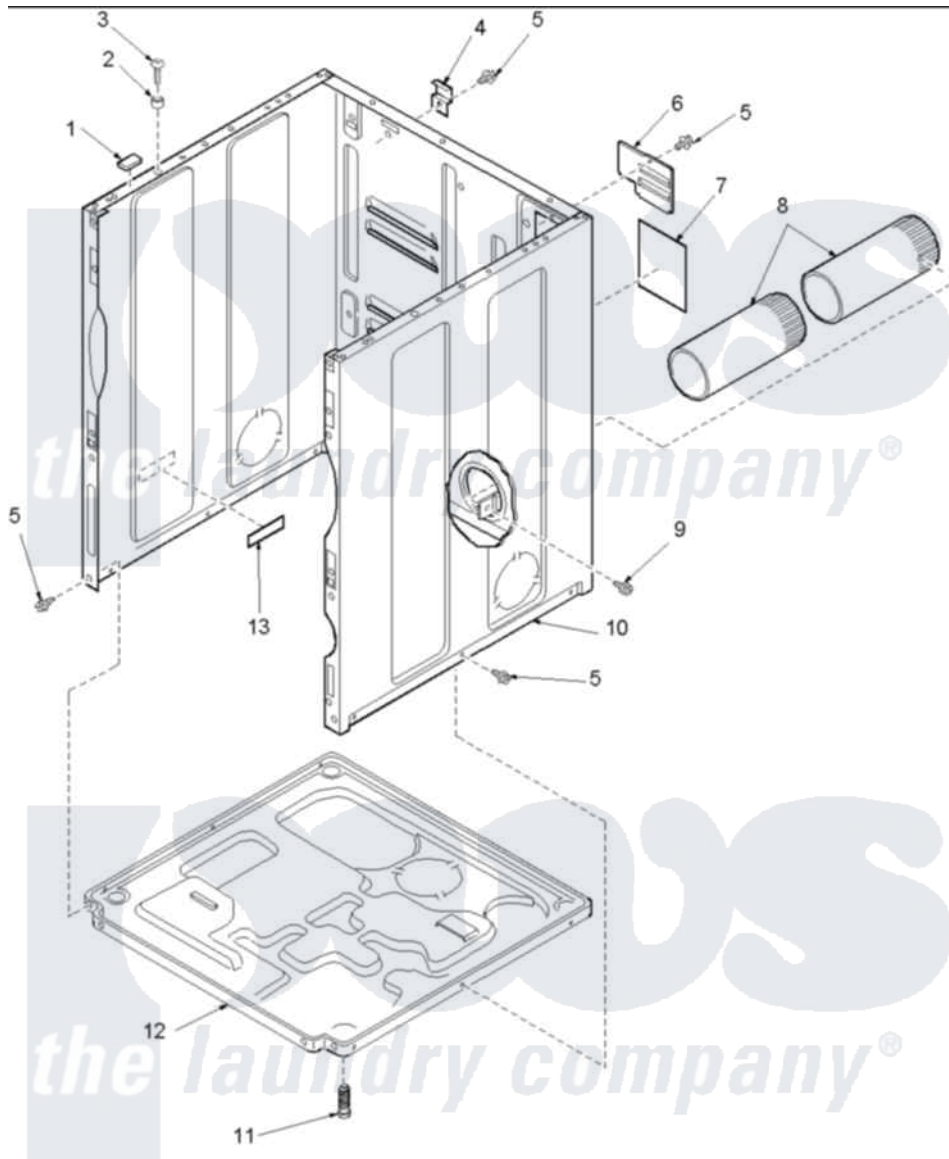


# Amana LEA50AL (BOM: PLEA50AL) 01 - CABINET AND BASE



Amana Residential Amana LEA50AL (BOM: PLEA50AL) Dryer Parts Parts Diagram 01 - CABINET AND BASE  
 Click on the part number to view part

| Item | Original Part Number    | Replaced By             | Status        | Part Description            |
|------|-------------------------|-------------------------|---------------|-----------------------------|
| 1    | <a href="#">Y56128</a>  |                         |               | Pad, Bumper                 |
| 2    | <a href="#">505187</a>  |                         |               | Locator, Panel              |
| 3    | 32671                   | <a href="#">Y014874</a> |               | Screw, Idler Arm And Sleeve |
| 4    | <a href="#">500003</a>  |                         |               | Hinge, Top                  |
| 6    | 500114                  | <a href="#">510903</a>  |               | Plate Access Panel          |
| 7    | 501289                  |                         | Not Available | (ELECTRIC MODELS)           |
| 8    | <a href="#">505518</a>  |                         |               | Duct, Exhaust               |
| 9    | <a href="#">503688</a>  |                         |               | Screw, 10B-16 X .34 I       |
| 10   | 501688L                 |                         | Not Available | ASSY, CAB (HOME)            |
| 11   | <a href="#">Y500101</a> |                         |               | Leg, Leveling               |
| 12   | <a href="#">500070</a>  |                         |               | Base, Dryer                 |
| 13   | 61294                   |                         | Not Available | (ELECTRIC MODELS)           |