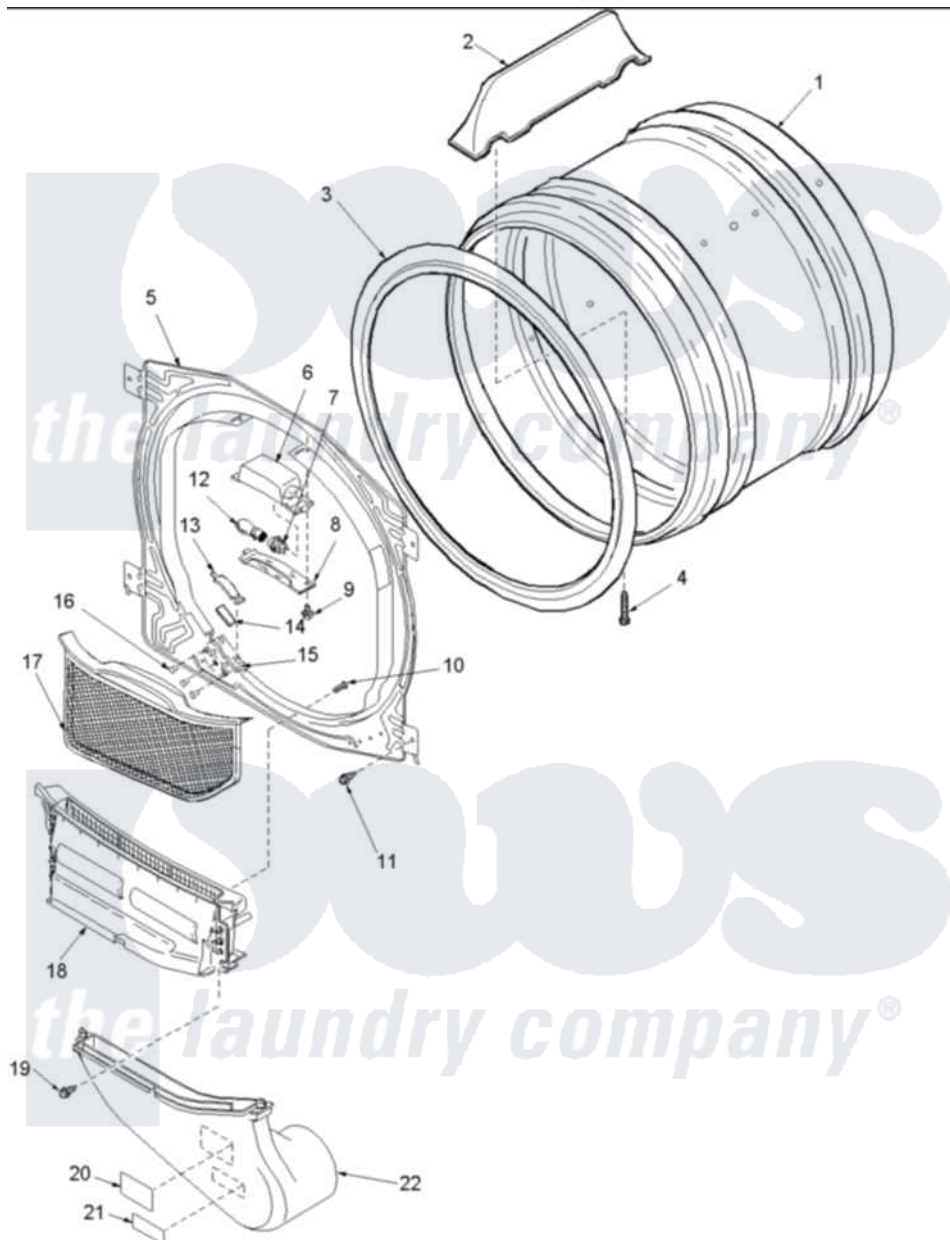


Amana LEA50AW (BOM: PLEA50AW) 04 - FRONT BULKHEAD, AIR DUCT & CYLINDER



Amana Residential Amana LEA50AW (BOM: PLEA50AW) Dryer Parts Parts Diagram 04 - FRONT BULKHEAD, AIR DUCT & CYLINDER

[Click on the part number to view part](#)

| Item | Original Part Number | Replaced By | Status | Part Description |
|------|--------------------------|--------------------------|--------|---------------------------|
| 1 | 504467W | 504467WP | | Cylinder Assembly |
| 2 | 503703 | 12002559 | | Baffle Kit |
| 3 | 501801 | 37001132 | | Seal, Cylinder |
| 4 | Y62588 | | | Screw, 10BT-12 X 1 Tap |
| 5 | 503709W | 503616WP | | Assembly, Frt Bulkhead |
| 6 | 503622 | Y504452 | | Light Assembly |
| 7 | 504458 | Y504452 | | Light Assembly |
| 8 | Y503623 | 40094301 | | Lens, Light |
| 9 | 500227 | 505295 | | Screw, No.8ab-16 x 3/4 PH |
| 12 | Y60954 | 67001316 | | Bulb, Light |
| 13 | Y501676 | 37001298 | | Glide- Dry |
| 14 | 500092 | 510189 | | Pad Felt |
| 15 | 37001036 | | | Bracket, Cylinder Glide |
| 16 | 37001031 | 3370225 | | Screw |
| 17 | Y503627 | 37001142 | | Filter, Lint |

| | | | |
|----|------------------------|--------------------------|---------------------------|
| 18 | Y504203 | 37001141 | Air Duct Assembly |
| 19 | 501285 | | Screw, No.12 X 9/16-Pla |
| 20 | 500049 | Not Available | STICKER |
| 21 | 56259 | Not Available | STICKER |
| 22 | Y503626 | 37001141 | Air Duct Assembly |
| NI | 22506 | 511637P | Adh Dow 737 Clr 3 Oz Tube |

