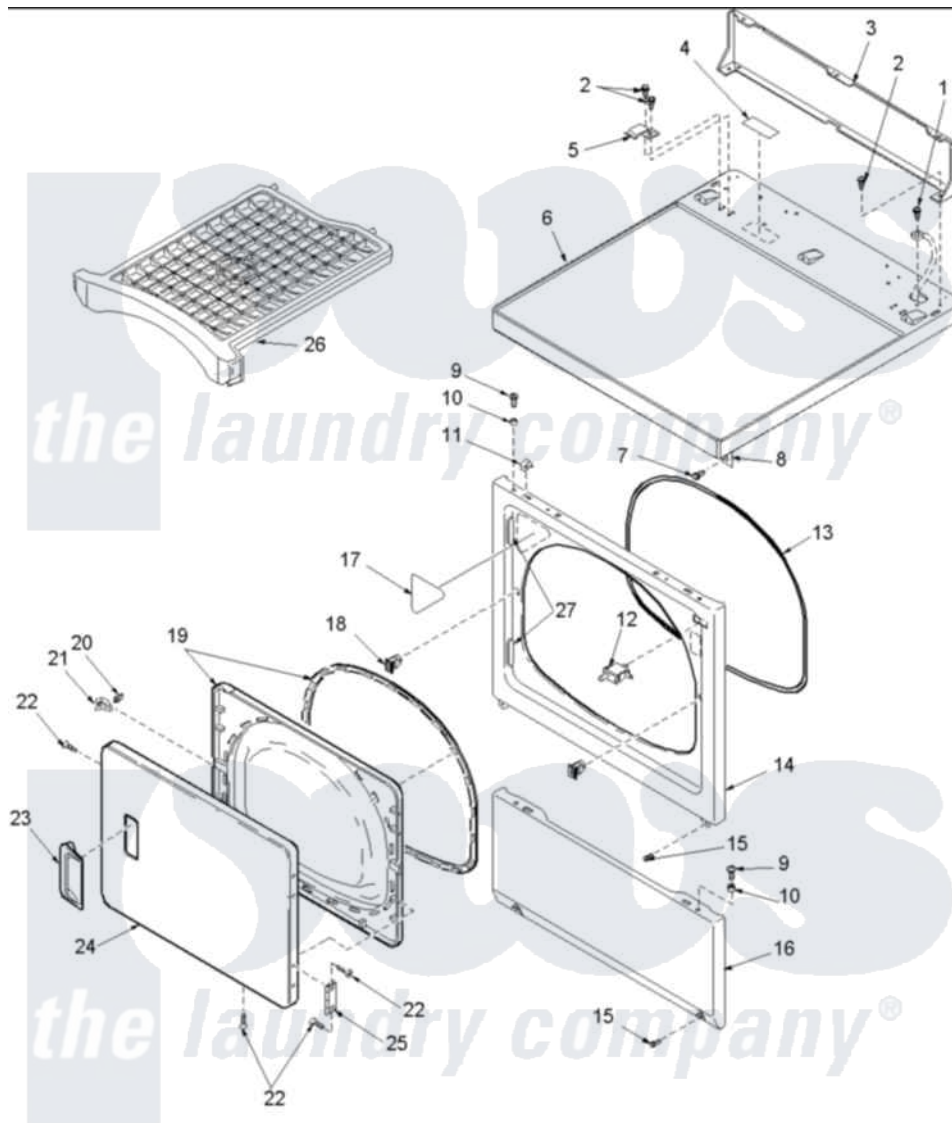


Amana LEA60AL (BOM: PLEA60AL) 03 - DOOR AND FRONT, ACCESS, AND TOP PANELS



Amana Residential Amana LEA60AL (BOM: PLEA60AL) Dryer Parts Parts Diagram 03 - DOOR AND FRONT, ACCESS, AND TOP PANELS

[Click on the part number to view part](#)

| Item | Original Part Number | Replaced By | Status | Part Description |
|------|-------------------------|---------------------------|---------------|---|
| 1 | 503688 | | | Screw, 10B-16 X .34 I |
| 2 | 501086 | 90767 | | Screw, 8A X 3/8 HeX Washer Head Tapping |
| 3 | 500343 | | Not Available | PANEL, BACK(HOME HOOD) |
| 4 | 24903R4 | | Not Available | STICKER |
| 5 | Y503876 | | | Clip, Hold Down |
| 6 | 500085L | | Not Available | PANEL-TOP-DOMESTIC |
| 7 | 503661 | 27001200 | | Screw |
| 8 | 500084 | 40130801 | | Bracket, Top Mount |
| 9 | 32671 | Y014874 | | Screw, Idler Arm And Sleeve |
| 10 | 505187 | | | Locator, Panel |
| 11 | 56080 | 22001650 | | Fastener, Spring |
| 12 | Y504570 | W10169313 | | Switch-Dor |
| 13 | 504005 | 511056 | | Seal Front Panel |
| 14 | 503639L | | Not Available | PANEL, FRONT (ALMOND) |

| | | | | |
|----|-------------------------|--------------------------|--------------------------|----------------------|
| 15 | 503661 | 27001200 | Screw | |
| 16 | 503648L | | Not Available | PANEL, ACCESS |
| 17 | 500281 | | Not Available | STICKER |
| 18 | 54660 | LA-1003 | Door Catch Kit | |
| 19 | 503643W | 37001028 | Seal And Liner, Assembly | |
| 20 | 500039 | 510181 | Strike Doormetal | |
| 21 | 500223 | 40116201 | Bracket, Door Strike | |
| 23 | 503646L | | Not Available | PULL, DOOR (ALM) |
| 24 | 503642L | | Not Available | DRYER, DOOR (ALMOND) |
| 25 | Y503676 | | Hinge, Door And Top | |
| 26 | Y504105 | Y504105A | Rack-Dry | |
| 27 | 503126 | | Plug, Hinge Hole | |

the laundry company[®]

the laundry company[®]

the laundry company[®]