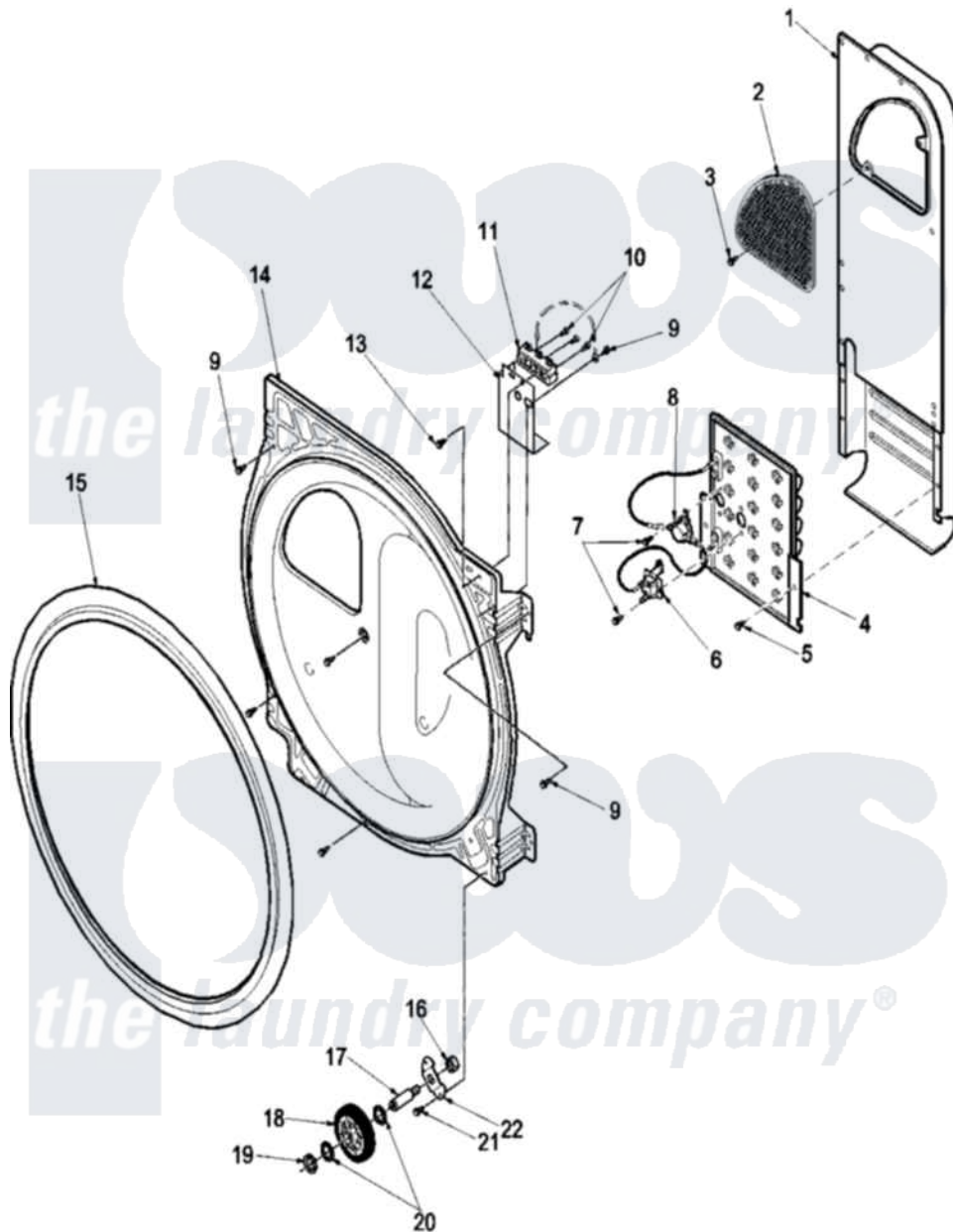


Amana LES10AW (BOM: PLES10AW) 06 - R Bulkhead, Seal, Rollers, and Air Duct



Amana Residential Amana LES10AW (BOM: PLES10AW) Washer Parts Parts Diagram 06 - R Bulkhead, Seal, Rollers, and Air Duct

[Click on the part number to view part](#)

Item	Original Part Number	Replaced By	Status	Part Description
1	503607	503605		Assembly, Heater Duct
2	500820			Outlet Cover
3	503688			Screw, 10B-16 X .34 I
4	Y503978			Assembly, Heater Kit
5	503688			Screw, 10B-16 X .34 I
6	62600	40113801		Fuse, Thermal
7	23222	3177991		Screw
8	Y504237			Thermostat, Limit
9	503661	27001200		Screw
10	503688			Screw, 10B-16 X .34 I
"	501285			Screw, No.12 X 9/16-Pla
11	61923P	61923		Block, Terminal
12	Y504185			Shield, Terminal Block
13	501285			Screw, No.12 X 9/16-Pla
14	502614W	502614WP		Bulkhead, Rear

15	501801	37001132	Seal, Cylinder
16	56156	358160	Nut
17	56461		Shaft
18	500214	37001042	Assembly, Cylinder Roller
19	23748		Ring, Retaining
20	52549		Washer, 501 ID X3/4 Odx
21	503688		Screw, 10B-16 X .34 I
22	500062	40113601	Assembly, Roller Brkt
NI	22506P	511637P	Adh Dow 737 Clr 3 Oz Tube

