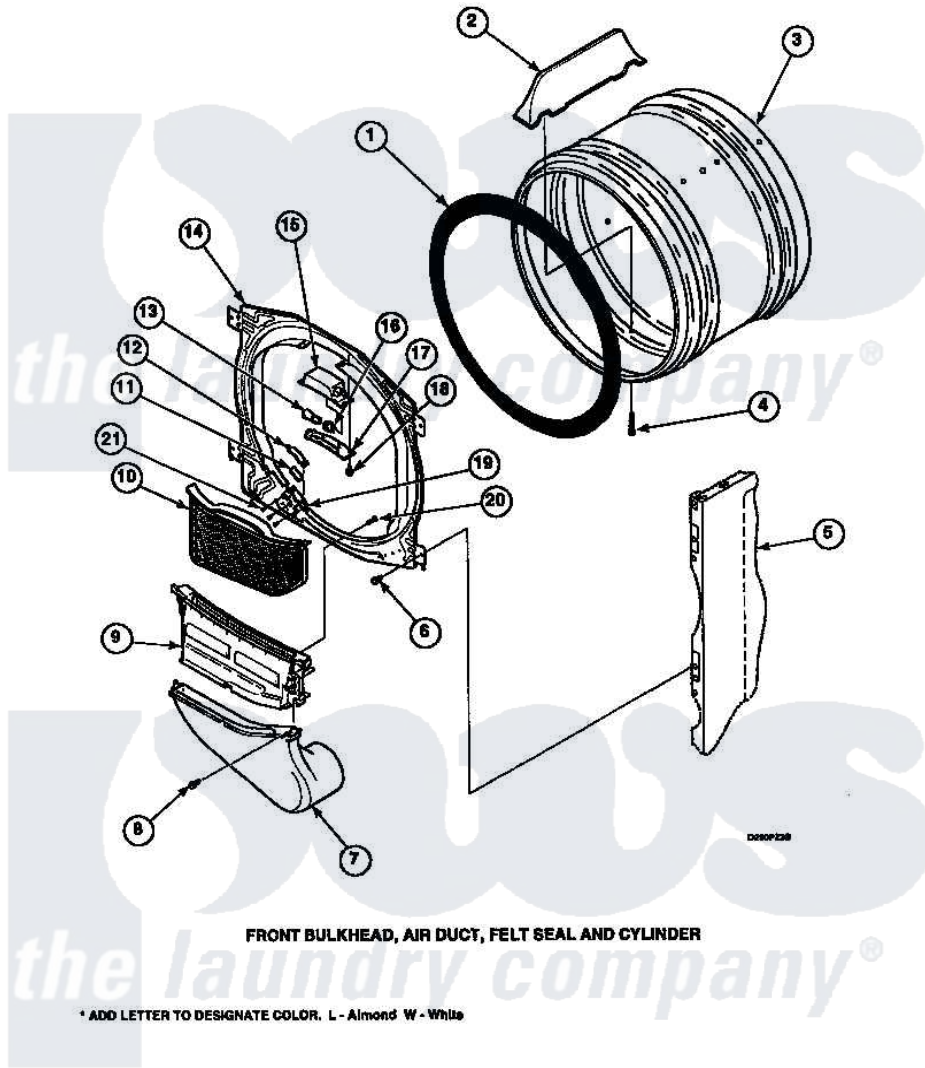


Amana LES33AW (BOM: PLES33AW) 04 - FR BLKHD, AIR DUCT, FELT SEAL & CYLINDER



RP3200004 (504010)
Rev. 0

16

Amana Residential Amana LES33AW (BOM: PLES33AW) Dryer Parts Parts Diagram 04 - FR BLKHD, AIR DUCT, FELT SEAL & CYLINDER

Click on the part number to view part

Item	Original Part Number	Replaced By	Status	Part Description
1	501801	37001132		Seal, Cylinder
2	503703	12002559		Baffle Kit
3	504467WP			Cylinder Assembly
4	Y62588			Screw, 10BT-12 X 1 Tap
5	500001P		Not Available	(ADD LETTER BEFORE "P" IN PART
6	503661	27001200		Screw
7	Y503626	37001141		Air Duct Assembly
8	501285			Screw, No.12 X 9/16-Pla
9	Y504203	37001141		Air Duct Assembly
10	Y503627	37001142		Filter, Lint
11	500092	510189		Pad Felt
12	Y501676	37001298		Glide- Dry
13	Y60954	67001316		Bulb, Light
14	503758W	503756W		Assembly, Blkhd Front CO

15	503622	Y504452	Light Assembly
16	504458	Y504452	Light Assembly
17	Y503623	40094301	Lens, Light
18	500227	505295	Screw, No.8ab-16 x 3/4 PH
19	501554	12002090	Bracket
20	500226		Screw, 8b-16 x 5/8 Tap
21	504540	Not Available	(USED TO FASTEN 501554 GLIDE B
NI	22506P	511637P	Adh Dow 737 Clr 3 Oz Tube

