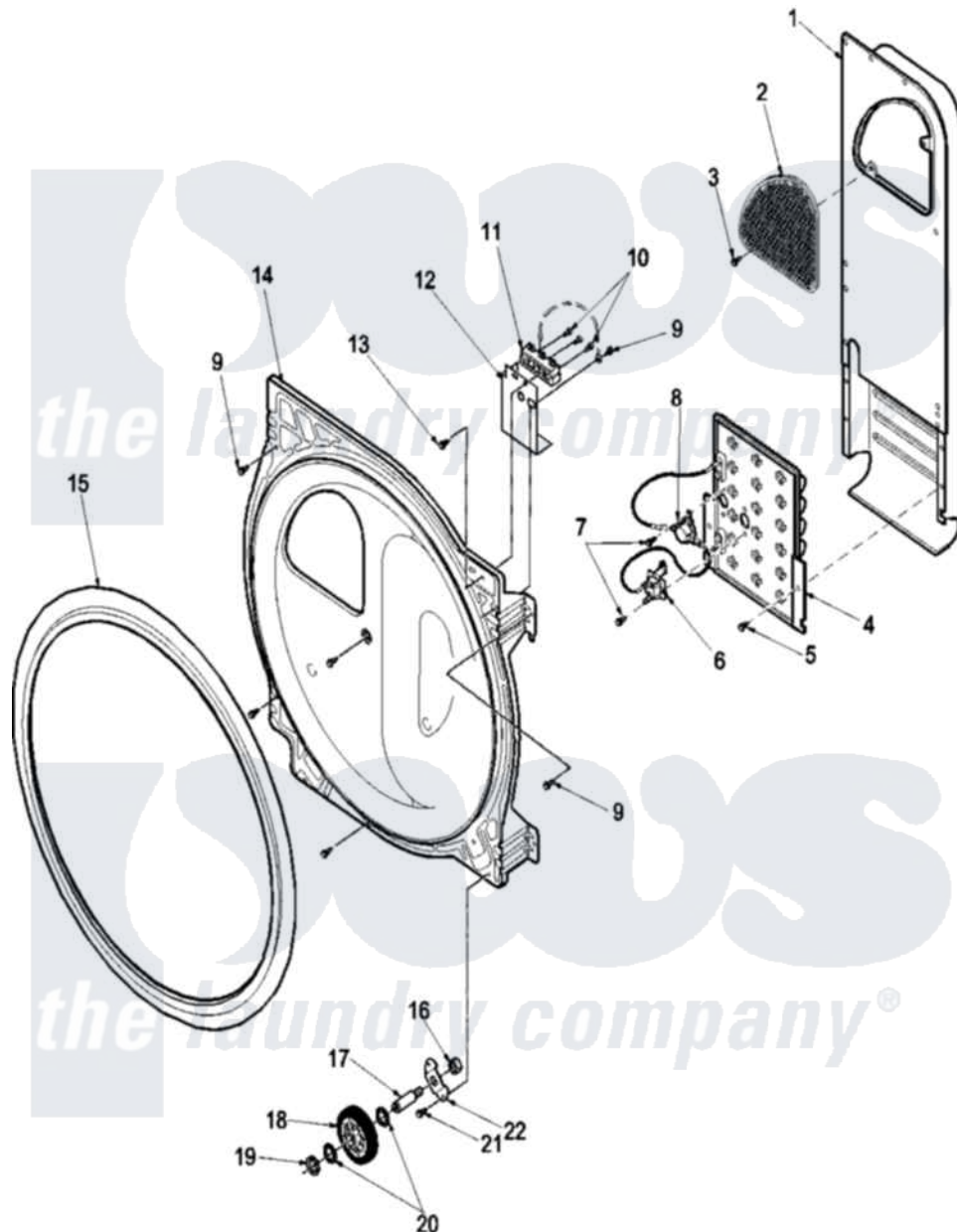


# Amana LES34AW (BOM: PLES34AW) 06 - R Bulkhead, Seal, Rollers, and Air Duct



Amana Residential Amana LES34AW (BOM: PLES34AW) Washer Parts Parts Diagram 06 - R Bulkhead, Seal, Rollers, and Air Duct  
 Click on the part number to view part

| Item | Original Part Number    | Replaced By              | Status | Part Description        |
|------|-------------------------|--------------------------|--------|-------------------------|
| 1    | 503607                  | <a href="#">503605</a>   |        | Assembly, Heater Duct   |
| 2    | <a href="#">500820</a>  |                          |        | Outlet Cover            |
| 3    | <a href="#">503688</a>  |                          |        | Screw, 10B-16 X .34 I   |
| 4    | <a href="#">Y503978</a> |                          |        | Assembly, Heater Kit    |
| 5    | <a href="#">503688</a>  |                          |        | Screw, 10B-16 X .34 I   |
| 6    | 62600                   | <a href="#">40113801</a> |        | Fuse, Thermal           |
| 7    | 23222                   | <a href="#">3177991</a>  |        | Screw                   |
| 8    | <a href="#">Y504237</a> |                          |        | Thermostat, Limit       |
| 9    | 503661                  | <a href="#">27001200</a> |        | Screw                   |
| 10   | <a href="#">503688</a>  |                          |        | Screw, 10B-16 X .34 I   |
| "    | <a href="#">501285</a>  |                          |        | Screw, No.12 X 9/16-Pla |
| 11   | 61923P                  | <a href="#">61923</a>    |        | Block, Terminal         |
| 12   | <a href="#">Y504185</a> |                          |        | Shield, Terminal Block  |
| 13   | <a href="#">501285</a>  |                          |        | Screw, No.12 X 9/16-Pla |
| 14   | 502614W                 | <a href="#">502614WP</a> |        | Bulkhead, Rear          |

|    |                        |                          |                           |
|----|------------------------|--------------------------|---------------------------|
| 15 | 501801                 | <a href="#">37001132</a> | Seal, Cylinder            |
| 16 | 56156                  | <a href="#">358160</a>   | Nut                       |
| 17 | <a href="#">56461</a>  |                          | Shaft                     |
| 18 | 500214                 | <a href="#">37001042</a> | Assembly, Cylinder Roller |
| 19 | <a href="#">23748</a>  |                          | Ring, Retaining           |
| 20 | <a href="#">52549</a>  |                          | Washer, 501 ID X3/4 Odx   |
| 21 | <a href="#">503688</a> |                          | Screw, 10B-16 X .34 I     |
| 22 | 500062                 | <a href="#">40113601</a> | Assembly, Roller Brkt     |
| NI | 22506P                 | <a href="#">511637P</a>  | Adh Dow 737 Clr 3 Oz Tube |

