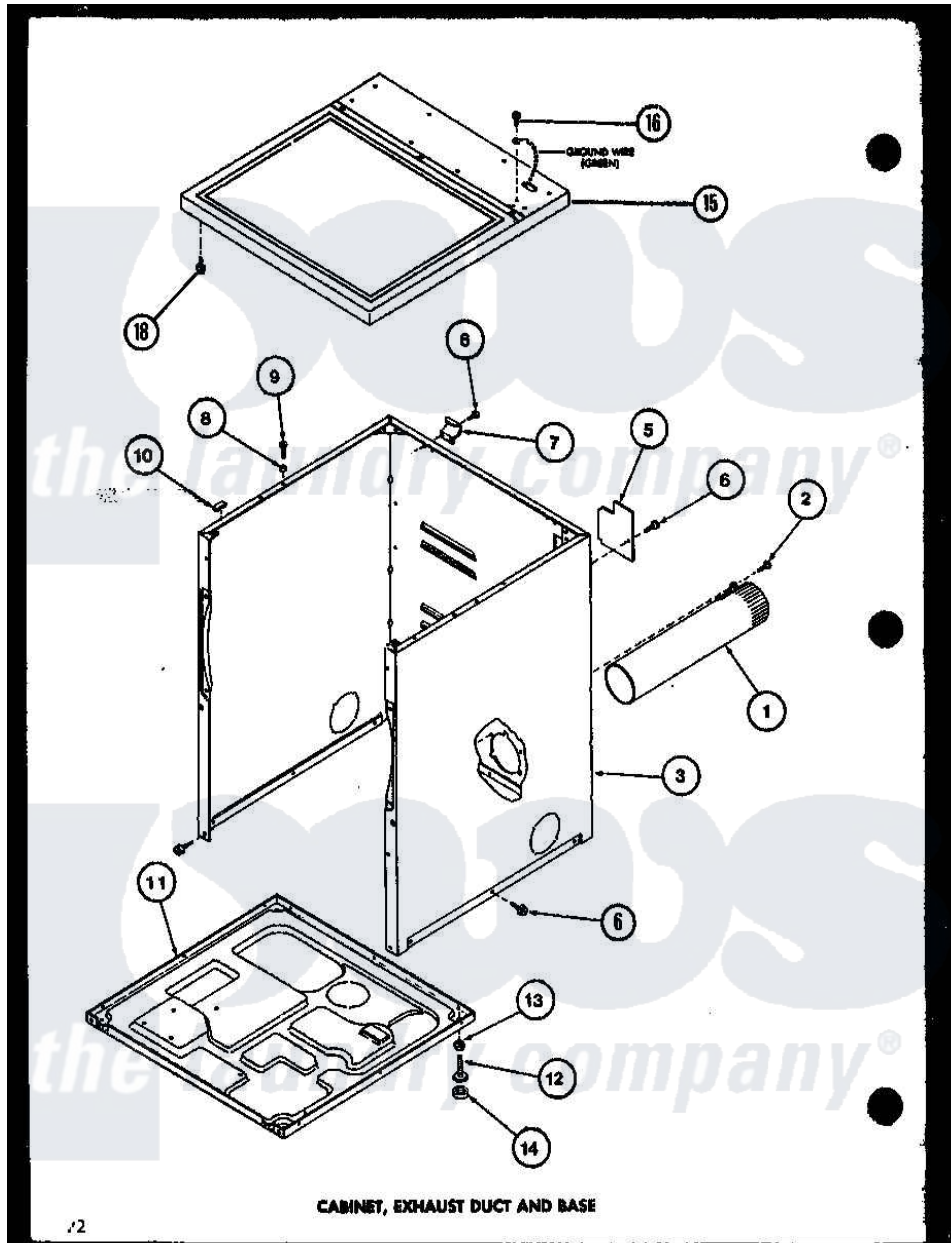


Amana LG2512 (BOM: P7762230W W) 01 - CABINET



CABINET, EXHAUST DUCT AND BASE

Amana Residential Amana LG2512 (BOM: P7762230W W) Dryer Parts Parts Diagram 01 - CABINET
 Click on the part number to view part

Item	Original Part Number	Replaced By	Status	Part Description
1	R0603041		Not Available	DUCT, EXHAUST
"	R0606002	58804		Assembly, Valve-Gas-Single-
2	R0600052		Not Available	SCREW, HEX HEAD
"	R0610003	306106		Coil, Holding And Booster-W
3	R0603118		Not Available	CABINET W
"	R0603068		Not Available	xxxASSY, DRYER CABINET
"	R0610050	694540		Coil, 60 Hz
4	R0600033	489464		Screw
5	R0603182	60821		Access Cover
"	R0611503	338906		Radiant, Sensor
6	R0610065	37001308		Ignitor
"	R0600017		Not Available	SCREW
7	R0605711		Not Available	HINGE
"	R0600047		Not Available	SCREW
8	R0603524	505187		Locator, Panel
9	R0606526		Not Available	NIPPLE

"	R0600102	Y014874	Screw, Idler Arm And Sleeve
10	R0606519	Y56128	Pad, Bumper
"	R0601034	40016301	Nut, Lock
11	R0600045	3370225	Screw
"	R0603183	60811	Assembly, Base-Complete
12	R0600051	Y305086	Adjustable Leg And Nut
"	R0605694	500821	Bracket, Mounting-Gas
13	R0600014	27001200	Screw
"	R0601021	62739	Nut, Lock
14	R0606004	510205	Valve-Elbo
"	R0606525	Y314137	Foot, Rubber
15	R0610051	58911	Assembly, Lead-In Pipe
"	R0603149	Not Available	TOP ASSY W
"	R0603148	Not Available	TOP, ASSY A
16	R0610023	37001304	Burner Ign
"	R0600040	Not Available	SCREW
18	R0610065	37001308	Ignitor
"	R0600017	Not Available	SCREW

